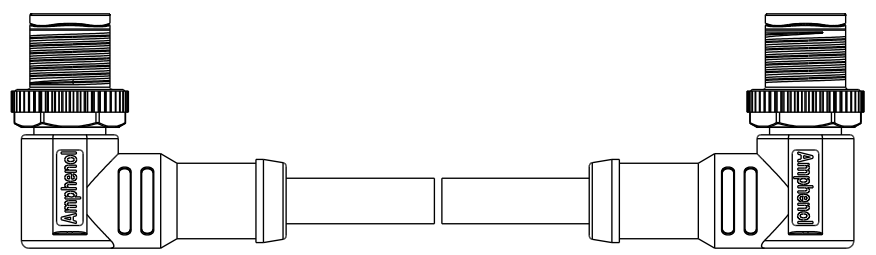
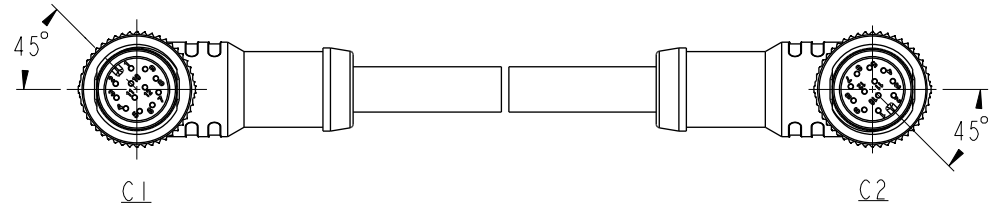
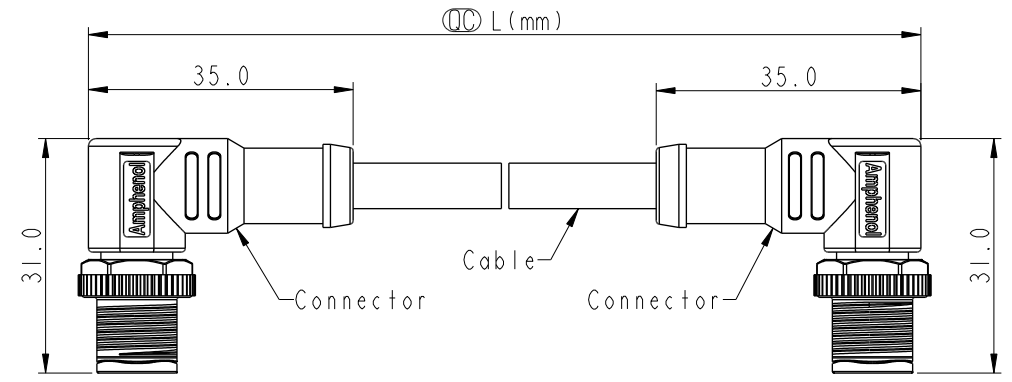


THIS DOCUMENT IS SUBJECT TO CHANGE WITHOUT NOTICE. IT IS CONFIDENTIAL AND A PROPERTY OF Amphenol LTW. DISCLOSURE TO THIRD PARTY HAS TO BE AUTHORIZED BY Amphenol LTW.

REV.	ECN NO.	DATE	SIGN	DESCRIPTION
B	C201807	2020/11/18	Vicky	△B X4
C	C210022	2021/01/07	Vicky	△C X1
D	C210229	2021/04/01	Vicky	△C X4



- Note:
- * RoHS Compliant
 - * Ⓞ Important dimension
 - * Waterproof rate: IPX8, mated 1m/24h
IPX9K, mated
 - * Connector
Housing: Thermoplastic, Black
Pin: Copper alloy, Gold plated
 - * Nut: Metal
 - * Outer Mold: Thermoplastic, Black
 - * Cable: UL20549, PUR Jacket, Black
 - * Cable Length Tolerance:



0.5M < L ≤ 1M	: +60/-0 mm
1M < L ≤ 3M	: +120/-0 mm
3M < L ≤ 5M	: +160/-0 mm
5M < L ≤ 10M	: ±100 mm
10M < L ≤ 20M	: ±200 mm
20M < L ≤ 30M	: ±300 mm
30M < L ≤ 99M	: ±500 mm

UNIT: mm			TITLE ACC, SEN, A Code, DB-ENDED MM	
TOLERANCE ±0.5mm	SCALE 1:1	SIZE A4	SHEET 1 OF 2	REV. D
		WC-REV.	Ⓞ: Inspection item	

Amphenol LTW
安費諾亮泰企業股份有限公司

ITEM NO.	DRAWN BY Vicky	DATE 2018-12-07
DWG NO. △B MI2AXXMR-12AMR-SBXXX	CHECKED BY Rita	DATE 2018-12-07
CUSTOMER ALTW	APPROVED BY Max	DATE 2018-12-07

THIS DOCUMENT IS SUBJECT TO CHANGE WITHOUT NOTICE. IT IS CONFIDENTIAL AND A PROPERTY OF Amphenol LTW. DISCLOSURE TO THIRD PARTY HAS TO BE AUTHORIZED BY Amphenol LTW.

 M12AXXMR-12AMR-SBXXX XX: No. Of Pin	XXX: 0.5~99Meters A05: 0.5 Meter 1: 01 Meter 2: 02 Meters : 99: 99 Meters																													
	<table border="1" style="width: 100%; border-collapse: collapse;"> <tr> <td style="width: 33%;">12P</td> <td style="width: 33%;">6.0</td> <td style="width: 33%;">26</td> <td>M12A12MR-12AMR-SBXXX</td> </tr> <tr> <td>10P</td> <td></td> <td></td> <td>M12A10MR-12AMR-SBXXX</td> </tr> <tr> <td>8P</td> <td>4.8</td> <td rowspan="2">24</td> <td>M12A08MR-12AMR-SBXXX</td> </tr> <tr> <td>6P</td> <td>5.0</td> <td>M12A06MR-12AMR-SBXXX</td> </tr> <tr> <td>5P</td> <td>4.4</td> <td rowspan="3">22</td> <td>M12A05MR-12AMR-SBXXX</td> </tr> <tr> <td>4P</td> <td>4.0</td> <td>M12A04MR-12AMR-SBXXX</td> </tr> <tr> <td>3P</td> <td>3.8</td> <td>M12A03MR-12AMR-SBXXX</td> </tr> <tr> <td>Contacts</td> <td>Cable OD</td> <td>AWG</td> <td>Item No.</td> </tr> </table>	12P	6.0	26	M12A12MR-12AMR-SBXXX	10P			M12A10MR-12AMR-SBXXX	8P	4.8	24	M12A08MR-12AMR-SBXXX	6P	5.0	M12A06MR-12AMR-SBXXX	5P	4.4	22	M12A05MR-12AMR-SBXXX	4P	4.0	M12A04MR-12AMR-SBXXX	3P	3.8	M12A03MR-12AMR-SBXXX	Contacts	Cable OD	AWG	Item No.
	12P	6.0	26	M12A12MR-12AMR-SBXXX																										
	10P			M12A10MR-12AMR-SBXXX																										
	8P	4.8	24	M12A08MR-12AMR-SBXXX																										
	6P	5.0		M12A06MR-12AMR-SBXXX																										
	5P	4.4	22	M12A05MR-12AMR-SBXXX																										
	4P	4.0		M12A04MR-12AMR-SBXXX																										
3P	3.8	M12A03MR-12AMR-SBXXX																												
Contacts	Cable OD	AWG	Item No.																											

Pin Out	5	4	3	2	1	Pin #	5	4	3	2	1	Pin #	8	7	6	5	4	3	2	1	Pin #	12	11	10	9	8	7	6	5	4	3	2	1	Pin #	12	11	10	9	8	7	6	5	4	3	2	1			
	--	Black	Blue	--	Brown		--	Black	Blue	White	Brown		--	Blue	Pink	--	Yellow	Green	Brown	White		--	Violet	Black	Red	Blue	Pink	Gray	Yellow	Green	Brown	White		Red/Blue	Gray/Pink	Violet	Black	Red	Blue	Pink	Gray	Yellow	Green	Brown	White				
	Black	Blue	White	Brown			Black	Blue	White	Brown			Blue	Pink	Yellow	Green	Brown	White						Violet	Black	Red	Blue	Pink	Gray	Yellow	Green	Brown	White	紅/藍	灰/粉	紫	黑	紅	藍	粉	灰	黃	綠	棕	白				
	Wire	Wire	Wire	Wire	Wire		Wire	Wire	Wire	Wire	Wire		Wire	Wire	Wire	Wire	Wire	Wire	Wire	Wire	Wire	Wire		Wire	Wire	Wire	Wire	Wire	Wire	Wire	Wire	Wire		Wire	Wire	Wire	Wire	Wire	Wire	Wire	Wire	Wire	Wire	Wire	Wire				

Pin Assignments Front View

UNIT:mm			TITLE ACC, SEN, A Code, DB-ENDED MM		Amphenol LTW	ITEM NO	DRAWN BY Vicky	DATE 2018-12-07
TOLERANCE ±0.5mm	SCALE 1:1	SIZE A4	SHEET 2 OF 2	REV. D	安費諾亮泰企業股份有限公司	DWG NO M12AXXMR-12AMR-SBXXX	CHECKED BY Rita	DATE 2018-12-07
		WC-REV.	QC: Inspection item			CUSTOMER ALTW	APPROVED BY Max	DATE 2018-12-07