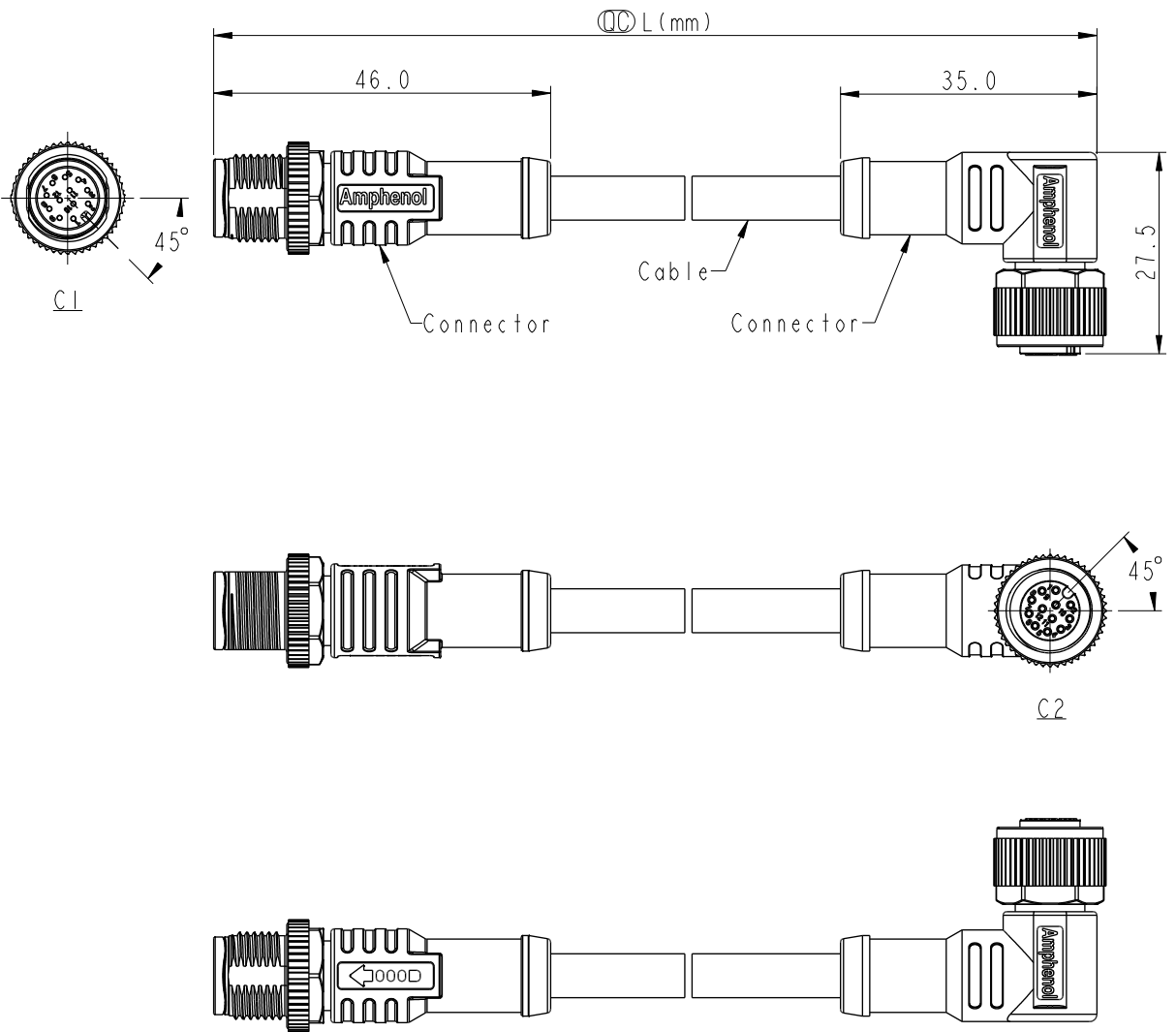


THIS DOCUMENT IS SUBJECT TO CHANGE WITHOUT NOTICE. IT IS CONFIDENTIAL AND A PROPERTY OF Amphenol LTW. DISCLOSURE TO THIRD PARTY HAS TO BE AUTHORIZED BY Amphenol LTW.

REV.	ECN NO.	DATE	SIGN	DESCRIPTION
B	C201756 & 57	2020/11/16	Vicky	$\triangle B$ X4
C	C210021	2021/01/07	Vicky	$\triangle C$ X2
D	C210227	2021/03/30	Vicky	$\triangle D$ X4



$\triangle B$ $\triangle D$



Note:

- * RoHS Compliant
- * $\text{\textcircled{C}}$ Important dimension
- * CI
- Waterproof rate: IPX8, mated 1m/24h
IPX9K, mated
- Housing: Thermoplastic, Black
- Pin: Copper alloy, Gold plated
- $\triangle C$ Nut: Metal
- Outer Mold: Thermoplastic, Black
- * C2
- Waterproof rate: IPX8, mated 1m/24h
IPX9K, mated
- Housing: Thermoplastic, Black
- Pin: Copper alloy, Gold plated
- O-Ring: Rubber, Green
- $\triangle C$ Nut: Metal
- Outer Mold: Thermoplastic, Black
- * Cable: UL2517, PVC Jacket, Black
- * Cable Length Tolerance: 0.5M < L \leq 1M: +60/-0 mm
1M < L \leq 3M: +120/-0 mm
3M < L \leq 5M: +160/-0 mm
5M < L \leq 10M: \pm 100 mm
10M < L \leq 20M: \pm 200 mm
20M < L \leq 30M: \pm 300 mm
30M < L \leq 99M: \pm 500 mm

UNIT: mm	$\text{\textcircled{C}}$	$\text{\textcircled{C}}$	TITLE	$\triangle D$
TOLERANCE	$\pm 0.5\text{mm}$		ACC, SEN, A Code, DB-ENDED MF	
SCALE	1:2	SIZE	A4	SHEET 1 OF 2
REV.	D	WC-REV.	A.1	$\text{\textcircled{C}}$: Inspection item

Amphenol LTW
安費諾亮泰企業股份有限公司

ITEM NO	DWG NO	CHECKED BY	DATE
	$\triangle B$ MI2AXXML-12AFR-SDXXX	Rita	2018-12-05
CUSTOMER	APPROVED BY	DATE	
ALTW	Max	2018-12-05	

<div style="text-align: center;">  M12AXXML-12AFR-SDXXX XX: No. Of Pin </div>						12P 10P 8P 6P 5P 4P 3P	6.0 5.5 5.0 5.1 4.8 4.5	26 24 22	M12A12ML-12AFR-SDXXX M12A10ML-12AFR-SDXXX M12A08ML-12AFR-SDXXX M12A06ML-12AFR-SDXXX M12A05ML-12AFR-SDXXX M12A04ML-12AFR-SDXXX M12A03ML-12AFR-SDXXX
						 Contacts	Cable OD	AWG	Item No.
XXX: 0.5~99Meters A05: 0.5 Meter 1: 01 Meter 2: 02 Meters : 99: 99 Meters									

Pin Out	5		4		3		2		1		8		7		6		5		4		3		2		1									
	Pin #	Wire	Pin #	Wire	Pin #	Wire	Pin #	Wire	Pin #	Wire	Pin #	Wire	Pin #	Wire	Pin #	Wire	Pin #	Wire	Pin #	Wire	Pin #	Wire	Pin #	Wire	Pin #	Wire								
	--	Black 黑	--	Black 黑	Gray 灰	Black 黑	Blue 藍	White 白	Brown 棕	--	Blue 藍	Pink 粉	Yellow 黃	Green 綠	Brown 棕	White 白	Red 紅	Blue 藍	Pink 粉	Gray 灰	Yellow 黃	Green 綠	Brown 棕	White 白	--	Black 紫黑	Red 紅	Blue 藍	Pink 粉	Gray 灰	Yellow 黃	Green 綠	Brown 棕	White 白

Pin Assignments Front View

UNIT:mm			TITLE ACC, SEN, A Code, DB-ENDED MF	<h1 style="margin: 0;">Amphenol LTW</h1> <p style="margin: 0;">安費諾亮泰企業股份有限公司</p>	ITEM NO	DRAWN BY Vicky	DATE 2018-12-05		
TOLERANCE	±0.5mm		SCALE 1:2		SIZE A4	SHEET 2 OF 2	DWG NO M12AXXML-12AFR-SDXXX	CHECKED BY Rita	DATE 2018-12-05
REV. D	WC-REV. A.1	QC: Inspection item			CUSTOMER ALTW	APPROVED BY Max	DATE 2018-12-05		