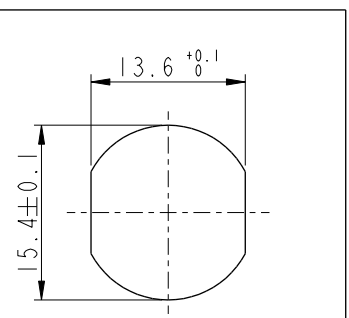
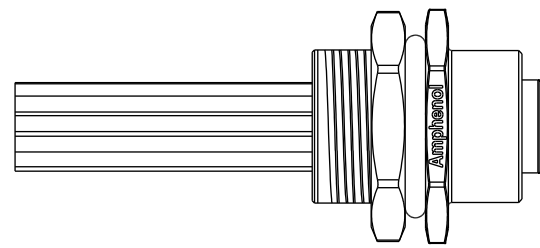
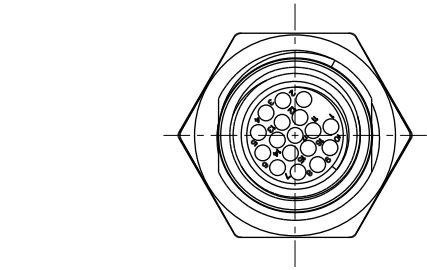
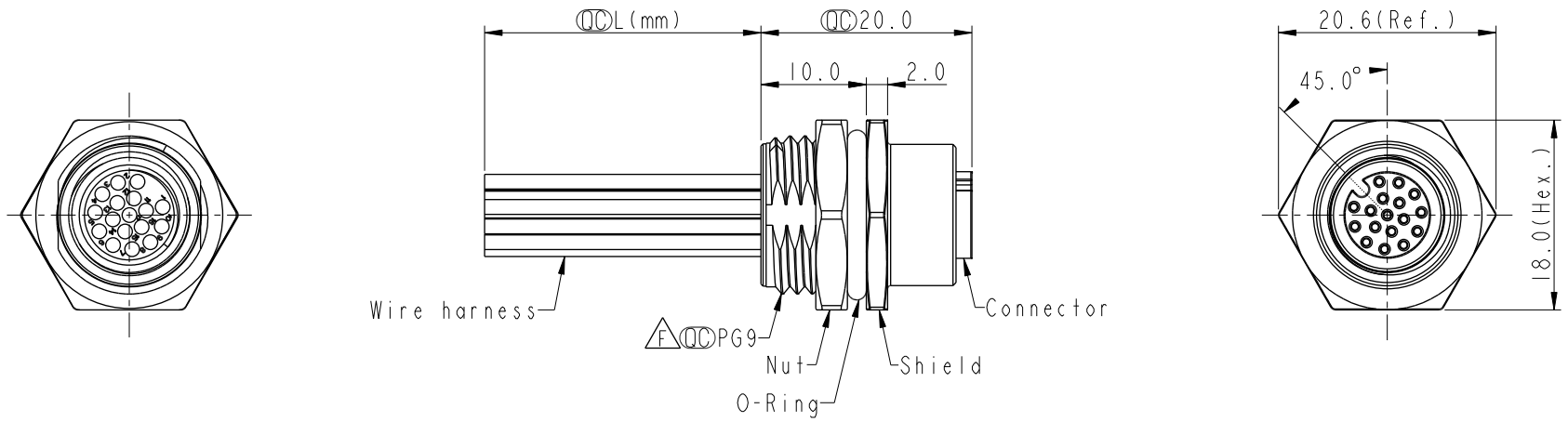


THIS DOCUMENT IS SUBJECT TO CHANGE WITHOUT NOTICE. IT IS CONFIDENTIAL AND A PROPERTY OF Amphenol LTW. DISCLOSURE TO THIRD PARTY HAS TO BE AUTHORIZED BY Amphenol LTW.

REV.	ECN NO.	DATE	SIGN	DESCRIPTION
E	BOMR19100207	2019/10/30	Peng	Add 17Pin
F	C201604	2020/10/22	Ruru	△ F X8
G	C210239	2021/04/13	Ruru	△ G X4



- Note: △ C △ D △ E △ F △ G
- \* RoHS Compliant
  - \* Ⓞ Important dimension
  - \* Waterproof rate: IPX8, unmated 1m/24h  
IPX9K, unmated
  - \* Connector  
Housing: Thermoplastic, Black  
Pin: Copper alloy, Gold plated  
O-Ring: Rubber, Green
  - \* Shield: Metal
  - \* Nut: Metal
  - \* O-Ring: Rubber, Black
  - \* Wire harness: UL1061
  - \* For panel thickness max: 4.5mm
  - \* O-Ring and nut are assembled on connectors
  - \* Wire harness tolerance: 100mm: ±10mm  
100mm < L ≤ 300mm: ±15mm  
300mm < L ≤ 1000mm: ±20mm  
1000mm < L ≤ 1500mm: ±50mm

Recommended Panel Cut-Out


UNIT: mm		
TOLERANCE	.X ±0.25	
.XX ±0.1		
.XXX ±0.05		
ANGLES	±1°	

TITLE N SEN, M12 A, SCREW RECEPTACLE, F, F, FI/PANEL CRIMP △ G		
SCALE 3:2	SIZE A4	SHEET 1 OF 2
REV. G	WC-REV. A.3	Ⓞ: Inspection item

**Amphenol LTW**  
安費諾亮泰企業股份有限公司

ITEM NO.	DRAWN BY	DATE
	Ruru	2019-09-19
DWG NO. △ F M12A-XXPFFC-SH8BXX	CHECKED BY	DATE
	Rita	2019-09-19
CUSTOMER	APPROVED BY	DATE
ALTW	Max	2019-09-19

THIS DOCUMENT IS SUBJECT TO CHANGE WITHOUT NOTICE. IT IS CONFIDENTIAL AND A PROPERTY OF Amphenol LTW. DISCLOSURE TO THIRD PARTY HAS TO BE AUTHORIZED BY Amphenol LTW.

	17P	26	M12A-17PFFC-SH8BXX
	5P	22	M12A-05PFFC-SH8BXX
	4P		M12A-04PFFC-SH8BXX
	3P		M12A-03PFFC-SH8BXX
Contacts	AWG	Item No.	

  
 M12A-XXPFFC-SH8BXX

XX: No. Of Pin

10: 100mm  
 15: 150mm  
 20: 200mm  
 }  
 95: 950mm  
 Cable Pitch Unit=50mm

A0: 1000mm  
 }  
 A5: 1500mm  
 Cable Pitch Unit=100mm  
 Wire Length (L): 150~1500 mm

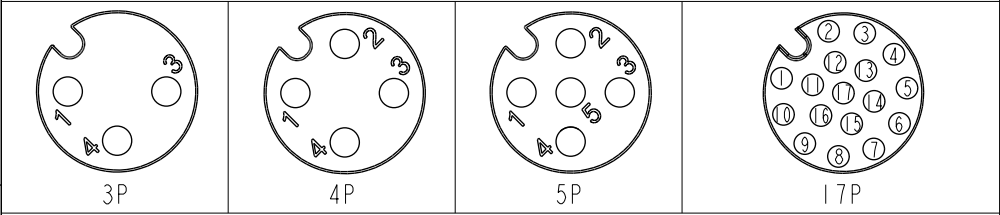


			17	White/Gray	白/灰
			16	Yellow/Brown	黃/棕
			15	White/Yellow	白/黃
			14	Brown/Green	棕/綠
			13	White/Green	白/綠
			12	Red/Blue	紅/藍
			11	Gray/Pink	灰/粉
			10	Violet	紫
			9	Red	紅
			8	Gray	灰
			7	Black	黑
			6	Yellow	黃
			5	Pink	粉
			4	Green	綠
			3	White	白
			2	Blue	藍
			1	Brown	棕

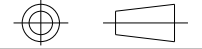
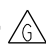
5	--	5	--	5	Gray	灰
4	Black	4	Black	4	Black	黑
3	Blue	3	Blue	3	Blue	藍
2	--	2	White	2	White	白
1	Brown	1	Brown	1	Brown	棕

Pin # Wire Pin # Wire Pin # Wire Pin # Wire


Pin Out



Pin Assignments Front View

UNIT: mm		TITLE N SEN, M12 A, SCREW RECEPTACLE, F, F, FI/PANEL CRIMP 	
TOLERANCE .X ±0.25 .XX ±0.1 .XXX ±0.05 ANGLES ±1°	SCALE 3:2	SIZE A4	SHEET 2 OF 2
	REV. G	WC-REV. A.3	QC: Inspection item

**Amphenol LTW**  
 安費諾亮泰企業股份有限公司

ITEM NO	DRAWN BY Ruru	DATE 2019-09-19
DWG NO  M12A-XXPFFC-SH8BXX	CHECKED BY Rita	DATE 2019-09-19
CUSTOMER ALTW	APPROVED BY Max	DATE 2019-09-19