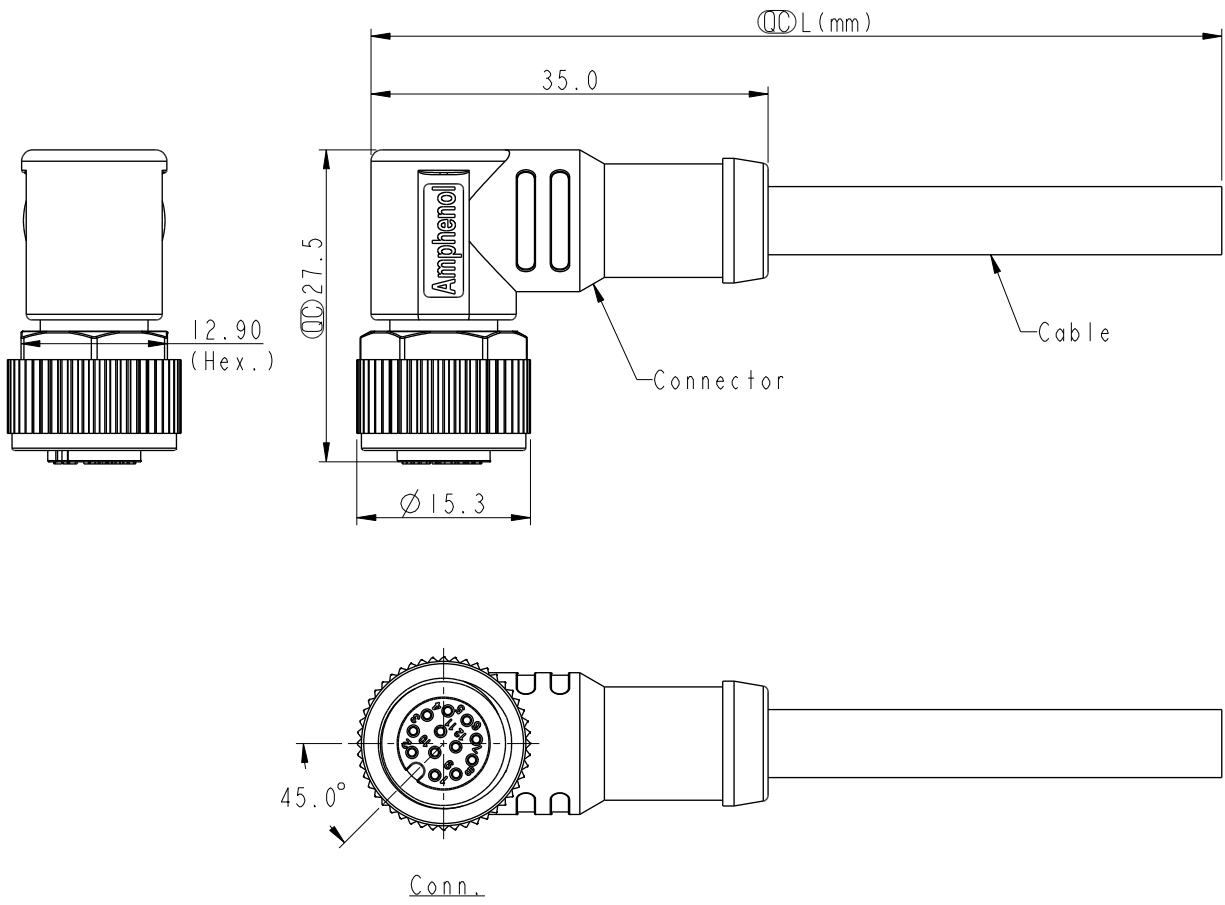


THIS DOCUMENT IS SUBJECT TO CHANGE WITHOUT NOTICE. IT IS CONFIDENTIAL AND A PROPERTY OF Amphenol LTW. DISCLOSURE TO THIRD PARTY HAS TO BE AUTHORIZED BY Amphenol LTW.

REV.	ECN NO.	DATE	SIGN	DESCRIPTION
D	LEN1750097~102	2017/04/06	Lingpeng	Change The Cable OD
E	C201596	2020/10/16	Ruru	△E X5
F	C210220	2021/03/02	Vicky	△F X4



Note:

- * RoHS Compliant
- * \varnothing Important dimension
- * \triangle Waterproof rate: IPX8, mated 1m/24h
IPX9K, mated

- * Connector
- Housing: Thermoplastic, Black
- Pin: Copper alloy, Gold plated
- O-Ring: Rubber, Green
- Nut: Metal
- Outer mold: Thermoplastic, Black
- * Cable: UL2517, PVC Jacket, Yellow
- * Cable length tolerance: 1M: +50/-0 mm

1M < L ≤ 3M:	+100/-0 mm
3M < L ≤ 5M:	+150/-0 mm
5M < L ≤ 10M:	±100 mm
10M < L ≤ 20M:	±200 mm
20M < L ≤ 30M:	±300 mm
30M < L ≤ 99M:	±500 mm

UNIT: mm		TITLE	\triangle F
TOLERANCE	±0.5mm	N SEN, M12 A, SCREW CABLE W/O SR, F, F, MOLDING	
SCALE	3:2	SIZE	A4
REV.	F	WC-REV.	A.2
		SHEET	1 OF 2
		\varnothing Inspection item	

Amphenol LTW
安費諾亮泰企業股份有限公司

ITEM NO.	DRAWN BY	DATE
	Lingpeng	2017-04-06
DWG NO.	CHECKED BY	DATE
\triangle E M12A-XXBFFM-SR8AXX	Ma Fei	2017-04-06
CUSTOMER	APPROVED BY	DATE
ALTW	Jerry	2017-04-06

