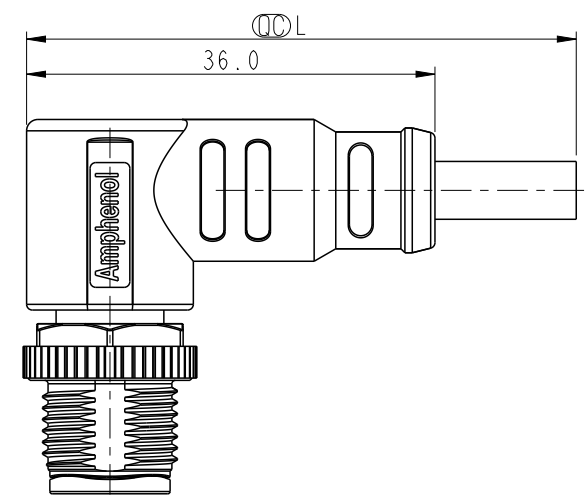
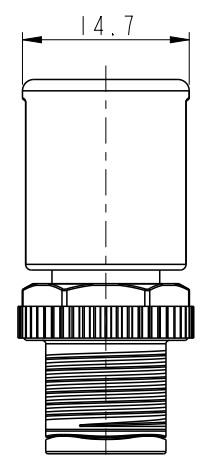
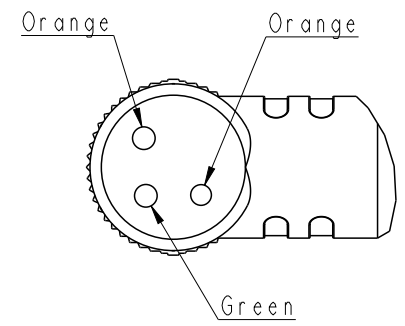
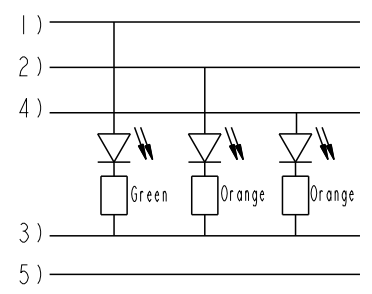


THIS DOCUMENT IS SUBJECT TO CHANGE WITHOUT NOTICE. IT IS CONFIDENTIAL AND A PROPERTY OF Amphenol LTW. DISCLOSURE TO THIRD PARTY HAS TO BE AUTHORIZED BY Amphenol LTW.

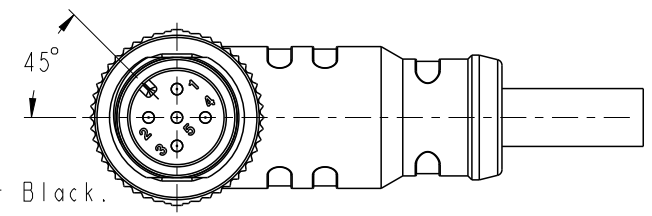
REV.	ECN NO.	DATE	SIGN	DESCRIPTION
A		2021-03-03	Sam Ho	Rev.01 to A, Initial Released
B	C210726	2021-05-07	Sam Ho	△BXI

5 Pin	PUR	4.4	22	LM12A-05BMMM-SR8BXX
4 Pin		4.0		LM12A-04BMMM-SR8BXX
3 Pin		3.8		LM12A-03BMMM-SR8BXX
Contacts	Cable Jacket	Cable OD	AWG	Item No.



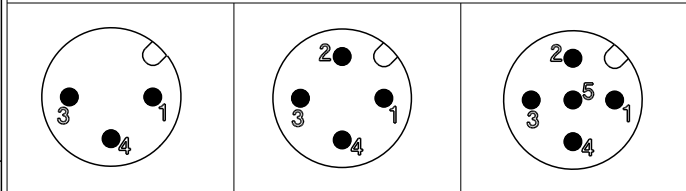
Note:

- * \varnothing Important Dimension
- * Waterproof Rate: IPX8, Mated 1m/24h
- * Connector
 - Housing: Thermoplastic, Black
 - Pin: Copper Alloy, Gold Plated
 - O-Ring: Rubber, Green
 - Nut: Metal
- △BX Outer Mold: Thermoplastic, Transparent Black.
- * Cable: UL20549, PUR Jacket, Black
- * Cable Length Tolerance:



5	-	5	-	5	Gray	灰
4	Black	4	Black	4	Black	黑
3	Blue	3	Blue	3	Blue	藍
2	-	2	White	2	White	白
1	Brown	1	Brown	1	Brown	棕

Pin #	Wire	Pin #	Wire	Pin #	Wire
Pin Out					



Pin Assignments Front View

IM: +50/-0 mm
 1M < L ≤ 3M: +100/-0 mm
 3M < L ≤ 5M: +150/-0 mm
 5M < L ≤ 10M: ±100 mm
 10M < L ≤ 20M: ±200 mm
 20M < L ≤ 30M: ±300 mm
 30M < L ≤ 99M: ±500 mm

LM12A- XX BMMM-SR8B XX
 No. Of Pin

XX: L=0~99Meters
 01: L=1Meters
 02: L=2Meters
 :
 99: L=99Meters

UNIT:mm		TITLE	M12 A Type 90° Male Cable With LED		
TOLERANCE		SCALE	SIZE	SHEET	OF
±0.50mm		3:2	A4	1	1
REV.	B	WC-REV.	\varnothing : Inspection item		

Amphenol LTW
 安費諾亮泰企業股份有限公司

ITEM NO.	DRAWN BY	DATE
	Sam Ho	2021-03-03
DWG NO.	CHECKED BY	DATE
LM12A-XXBMMM-SR8BXX	Fred Lee	2021-03-03
CUSTOMER	APPROVED BY	DATE
ALTW	Fred Lee	2021-03-03