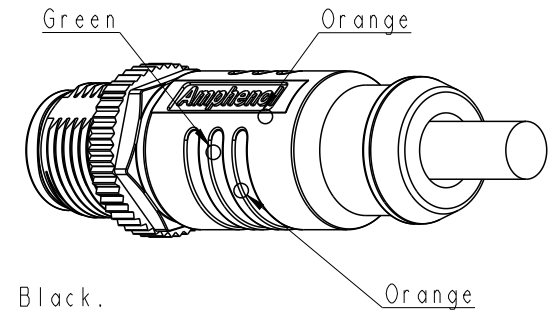
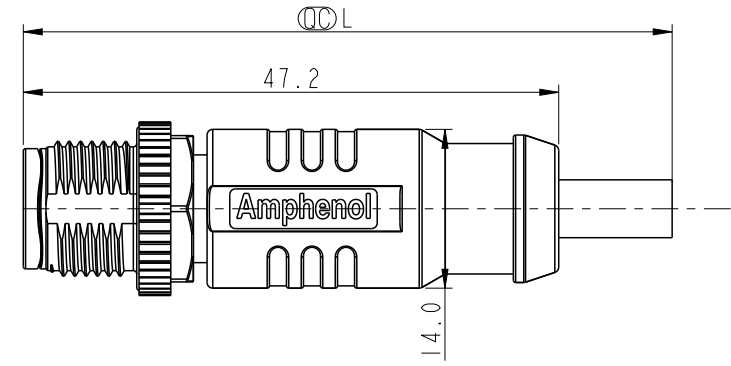
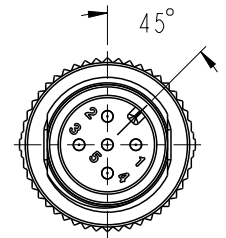
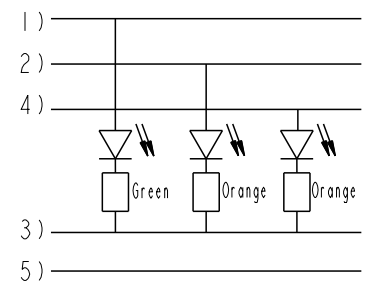


THIS DOCUMENT IS SUBJECT TO CHANGE WITHOUT NOTICE. IT IS CONFIDENTIAL AND A PROPERTY OF Amphenol LTW. DISCLOSURE TO THIRD PARTY HAS TO BE AUTHORIZED BY Amphenol LTW.

REV.	ECN NO.	DATE	SIGN	DESCRIPTION
A		2021-03-03	Sam Ho	Rev.01 to A, Initial Released
B	C210726	2021-05-07	Sam Ho	$\triangle B$ XI

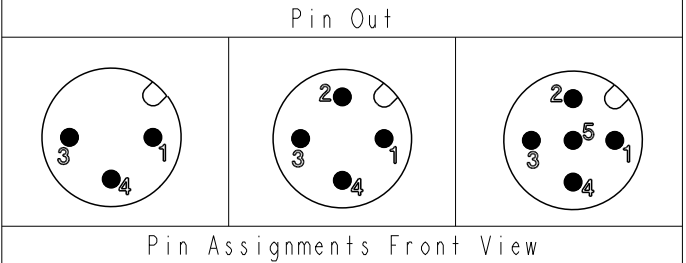
5 Pin	PUR	4.4	22	LM12A-05BMMM-SL8BXX
4 Pin		4.0		LM12A-04BMMM-SL8BXX
3 Pin		3.8		LM12A-03BMMM-SL8BXX
Contacts	Cable Jacket	Cable OD	AWG	Item No.



Note:

- \*  $\textcircled{L}$  Important Dimension
- \* Waterproof Rate: IPX8, Mated 1m/24h
- \* Connector
  - Housing: Thermoplastic, Black
  - Pin: Copper Alloy, Gold Plated
  - O-Ring: Rubber, Green
  - Nut: Metal
- $\triangle B$  Outer Mold: Thermoplastic, Transparent Black.
- \* Cable: UL20549, PUR Jacket, Black
- \* Cable Length Tolerance:

5	-	-	5	-	-	5	Gray	灰
4	Black	黑	4	Black	黑	4	Black	黑
3	Blue	藍	3	Blue	藍	3	Blue	藍
2	-	-	2	White	白	2	White	白
1	Brown	棕	1	Brown	棕	1	Brown	棕
Pin #	Wire		Pin #	Wire		Pin #	Wire	



1M: +50/-0 mm  
 1M < L ≤ 3M: +100/-0 mm  
 3M < L ≤ 5M: +150/-0 mm  
 5M < L ≤ 10M: ±100 mm  
 10M < L ≤ 20M: ±200 mm  
 20M < L ≤ 30M: ±300 mm  
 30M < L ≤ 99M: ±500 mm

LM12A- XX BMMM-SL8B XX

No. Of Pin

XX:L=0~99Meters  
 01:L=1Meters  
 02:L=2Meters  
 :  
 99:L=99Meters

UNIT:mm		TITLE
TOLERANCE	$\pm 0.50\text{mm}$	MI2 A Type 180° Male Cable With LED
SCALE	3:2	SIZE A4
REV.	B	WC-REV.
		$\textcircled{L}$ : Inspection item

**Amphenol LTW**  
安費諾亮泰企業股份有限公司

ITEM NO	DRAWN BY	DATE
	Sam Ho	2021-03-03
DWG NO	CHECKED BY	DATE
LM12A-XXBMMM-SL8BXX	Fred Lee	2021-03-03
CUSTOMER	APPROVED BY	DATE
ALTW	Fred Lee	2021-03-03