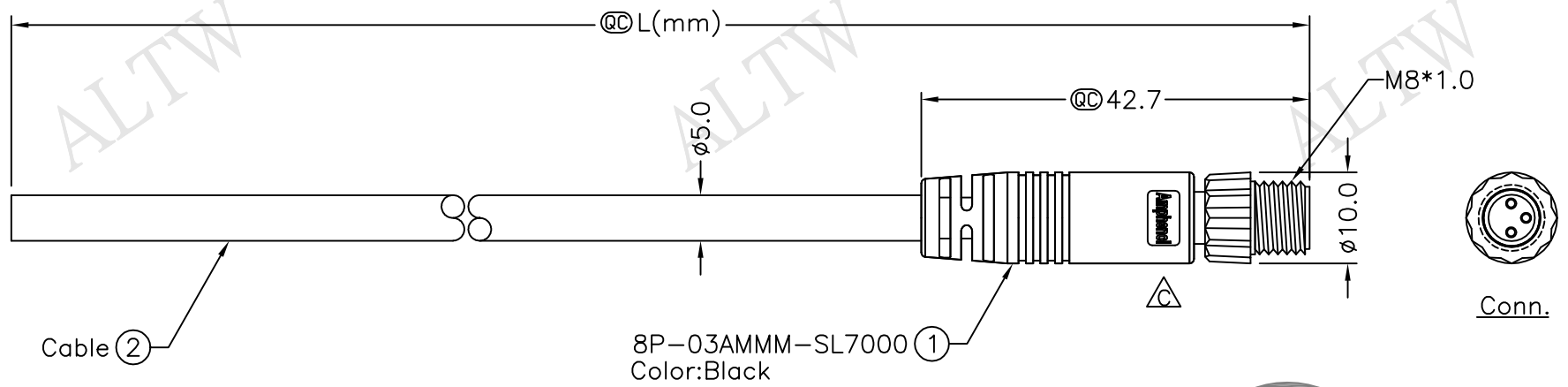
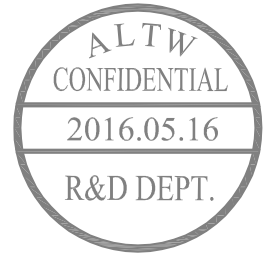
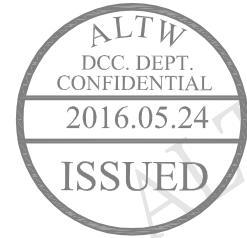


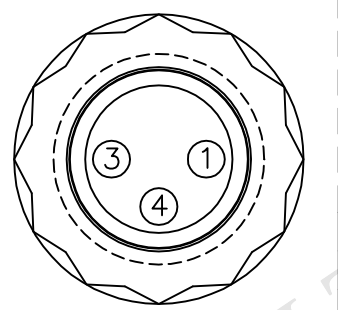
REV.	ECN NO.	DATE	SIGN	DESCRIPTION
B	LEN-920490~493	2009/02/24	Vicky	Update the drawing.
C	LEN1650530~533	2016/05/16	Vicky	Update Logo



8P-03AMMM-SL7AXX
 XX:01~99Meters
 01:01Meter
 02:02Meters
 :
 :
 99:99Meters
 Cable Length(L):01~99Meters



- Note:
- * @C Important Dimension.
 - * Waterproof Rate:IP67.
 - * Connector:PU,Black.
 - * Male Pin:Copper Alloy,Gold Plated.
 - * Cable:UL2464 22AWG*3C+Talcum,Black, PVC Jacket,UV Resistant,OD=5.0mm.
 - * Cable Length Tolerance: 01M:±40mm
 02M~05M:±60mm
 06M~10M:±100mm
 11M~30M:±200mm
 31M~99M:±500mm



4	Black	黑
3	Blue	藍
1	Brown	棕
Conn.	Wire Color	
Pin Out		

UNIT:mm		TITLE	M8 Conn	
TOLERANCE		Cable Screw 3P M Conn M Pin		
±0.5 mm	SCALE	Free	SHEET	1 OF 1
	REV.	C	SIZE	A4
			@C	:Inspection Item

Amphenol LTW		ITEM NO	DRAWN BY	DATE
安費諾亮泰企業股份有限公司		DWG NO	Vicky	2016/05/16
		8P-03AMMM-SL7AXX	CHECKED BY	DATE
			Rita	2016/05/16
		CUSTOMER	APPROVED BY	DATE
		ALTW	Lisa	2016/05/16

THIS DOCUMENT IS SUBJECT TO CHANGE WITHOUT NOTICE. IT IS CONFIDENTIAL AND A PROPERTY OF Amphenol LTW. DISCLOSURE TO THIRD PARTY HAS TO BE AUTHORIZED BY Amphenol LTW.

A B C D E F