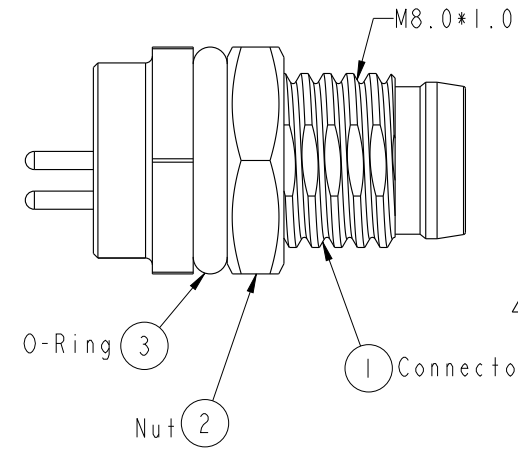
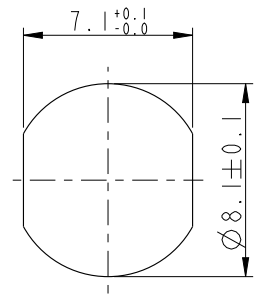
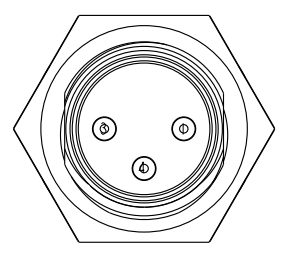
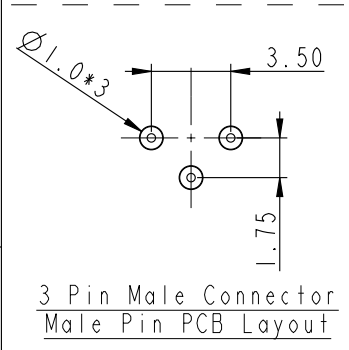
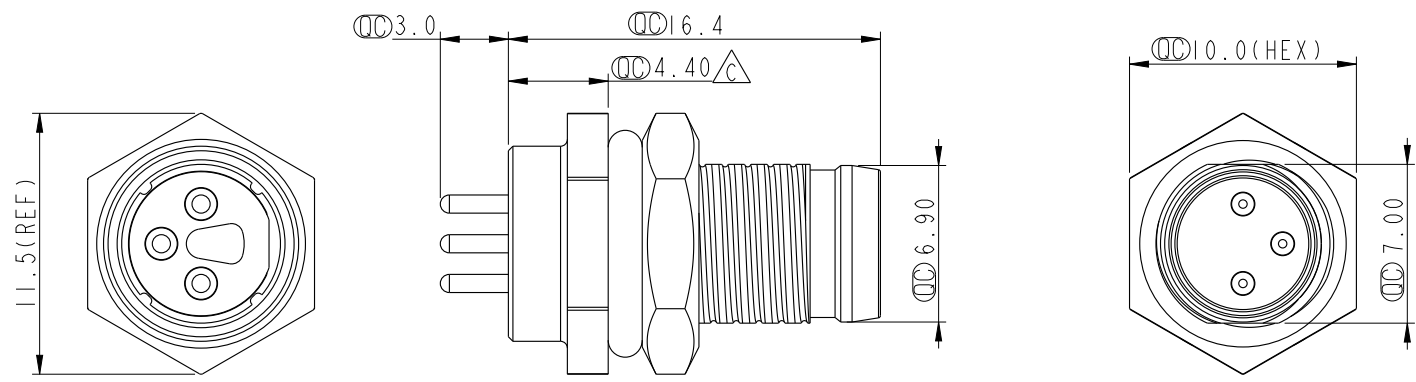


THIS DOCUMENT IS SUBJECT TO CHANGE WITHOUT NOTICE. IT IS CONFIDENTIAL AND A PROPERTY OF AMPHENOL LTW. DISCLOSURE TO THIRD PARTY HAS TO BE AUTHORIZED BY AMPHENOL LTW.

REV.	ECN NO.	DATE	SIGN	DESCRIPTION
B	LEN-7A0180	2007/09/29	Myrdal	Added Note
C	LEN-910179	2009/01/07	Ivan Lin	Change rev. to ECN note
D	CI92160	2019-12-21	Peng	$\triangle D$ XI



- $\triangle D$ Note:
- \*  $\varnothing$  Important Dimension.
  - \* Waterproof Rate: IP67
  - \* Housing: Black, Nylon+GF
  - \* Male Pin: Copper Alloy, Gold Plated
  - \* Shield: Zinc Alloy, Nickel Plated
  - \* Nut: Copper Alloy, Nickel Plated
  - \* O-Ring: Black, EPDM
  - \* Panel Thickness For Snap-in Type Max 3.0mm
  - \* Panel Thickness For Screw Type Max 1.9mm
  - \* Nut Torque: 4-6 kgf.cm

UNIT: mm

TOLERANCE	
.X	$\pm 0.25$
.XX	$\pm 0.1$
.XXX	$\pm 0.05$
ANGLES	$\pm 1^\circ$

TITLE	$\triangle C$ M8 Conn Panel Screw 3P M Conn M Pin		
SCALE	3:1	SIZE	A4
REV.	D	WC-REV.	A.3
		$\varnothing$	Inspection item

**Amphenol LTW**  
安費諾亮泰企業股份有限公司

ITEM NO	8-03PMMP-SF7002	DRAWN BY	Ivan Lin	DATE	2009/01/07
DWG NO	8-03PMMP-SF7002	CHECKED BY	Tommy Hom	DATE	2009/01/07
CUSTOMER	ALTW	APPROVED BY	Luke Chang	DATE	2009/01/07