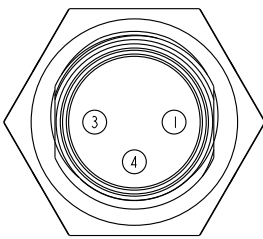
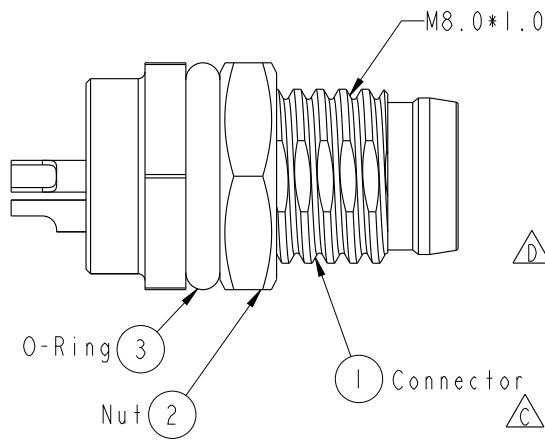
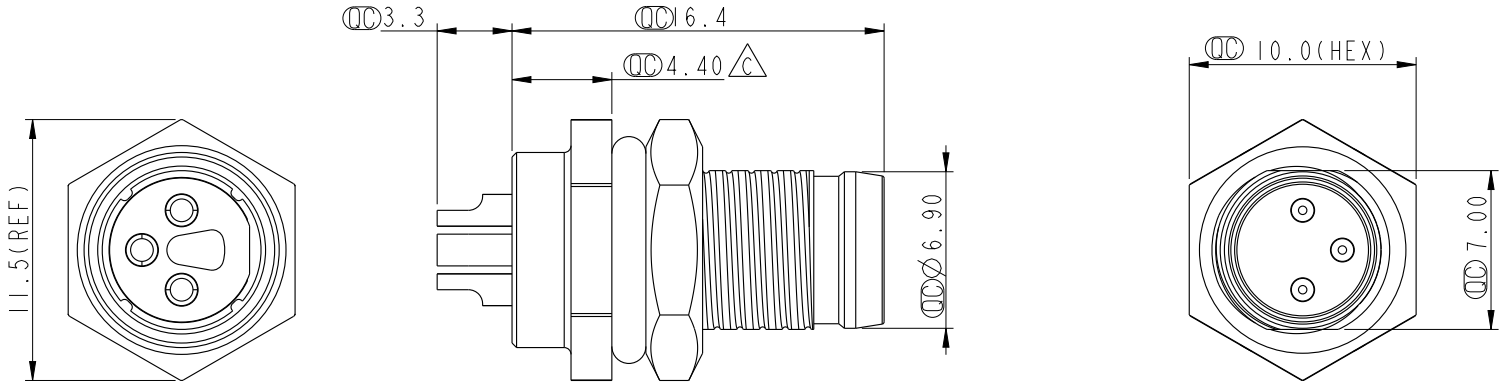
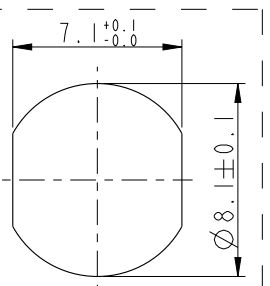


REV.	ECN NO.	DATE	SIGN	DESCRIPTION
B	LEN-7A0182	2007/09/29	Myrdal	Added Note
C	LEN-910181	2009/01/07	Ivan Lin	Change rev. to ECN note
D	CI92160	2019-12-21	Peng	$\triangle D$ XI



Pin Assignments
Front View



Recommended
Panel Cut-Out

- $\triangle D$ Note:
- * ⌀ Important Dimension.
 - * Waterproof Rate: IP67
 - * Housing: Black, Nylon+GF
 - * Male Pin: Copper Alloy, Gold Plated
 - * Shield: Zinc Alloy, Nickel Plated
 - * Nut: Copper Alloy, Nickel Plated
 - * O-Ring: Black, EPDM
 - * Panel Thickness For Snap-in Type Max 3.0mm
 - * Panel Thickness For Screw Type Max 1.9mm
 - * Nut Torque: 4-6 kgf.cm

UNIT:mm	⌀	⌀	TITLE $\triangle C$ M8 Conn Panel Screw 3P M Conn M Pin
TOLERANCE .X ± 0.25 .XX ± 0.1 .XXX ± 0.05 ANGLES $\pm 1^\circ$	SCALE 3:1	SIZE A4	SHEET 1 OF 1
REV. D	WC-REV. A.3	⌀ : Inspection item	

Amphenol LTW
安費諾亮泰企業股份有限公司

ITEM NO 8-03PMMS-SF7002	DRAWN BY Ivan Lin	DATE 2009/01/07
DWG NO 8-03PMMS-SF7002	CHECKED BY Tommy Hom	DATE 2009/01/07
CUSTOMER ALTW	APPROVED BY Luke Chang	DATE 2009/01/07

THIS DOCUMENT IS SUBJECT TO CHANGE WITHOUT NOTICE. IT IS CONFIDENTIAL AND A PROPERTY OF Amphenol LTW. DISCLOSURE TO THIRD PARTY HAS TO BE AUTHORIZED BY Amphenol LTW.