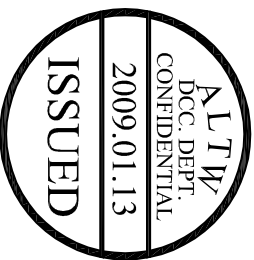
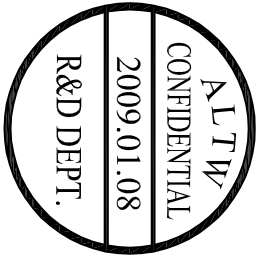
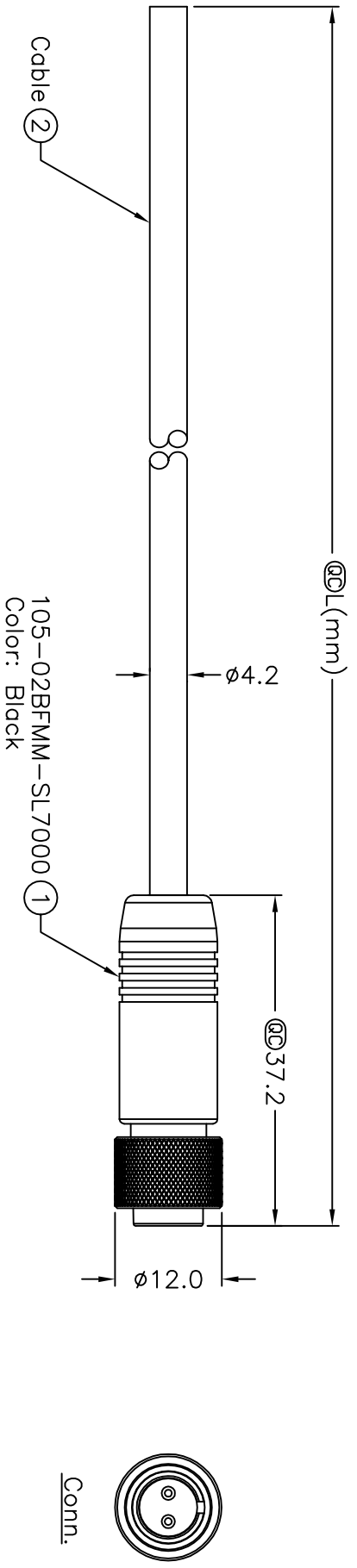


REV. B	EON NO. LEN-910066~69	DATE 2009/01/08	SIGN Vicky	DESCRIPTION Update the drawing.
--------	-----------------------	-----------------	------------	---------------------------------



105-02BFMM-SL7AXX

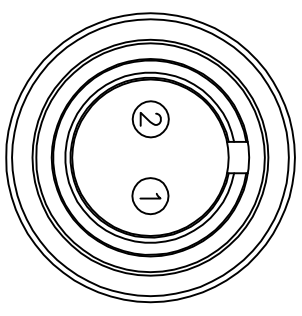
- XX:01~99Meters
- 01:01Meter
- 02:02Meters
- :
- :
- 99:99Meters

Cable Length(L):01~99Meters

- Notes:
- * @ Important Dimension.
 - * Waterproof Rate:IP67.
 - * Connector:Black,Nylon+GF.
 - * Male Pin:Copper Alloy,Gold Plated.
 - * Cable:UL2464 24AWG*2C+Talc,Black,PVC Jacket,UV Resistant,OD=4.2mm.
 - * Cable Length Tolerance: 01M:±40mm
02M~05M:±60mm
06M~10M:±100mm
11M~30M:±200mm
31M~99M:±500mm

2	Black	黑
1	Red	紅
Conn.	Wire Color	
Pin Out		

Pin Assignments
Front View



UNIT:mm

TOLERANCE ±0.5 mm

TITLE Cable Screw 2P F Conn M Pin

SCALE	F ree	SHEET	1	OF	1
REV.	B	SIZE	A4	Inspection	Item

Amphenol LTW
安費諾亮泰企業股份有限公司

ITEM NO	DWG NO	CUSTOMER	DRAWN BY	CHECKED BY	APPROVED BY	DATE
	105-02BFMM-SL7AXX	ALTW	Vicky	lvon	Luke	2009/01/08