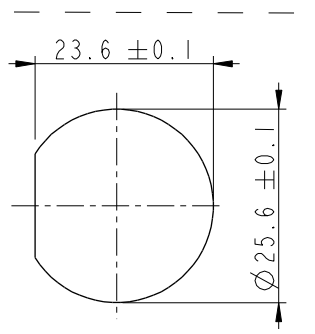


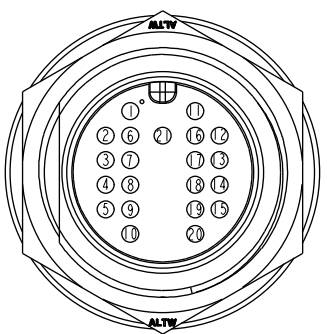
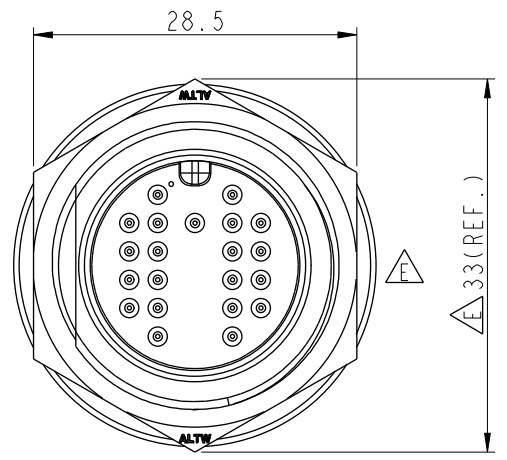
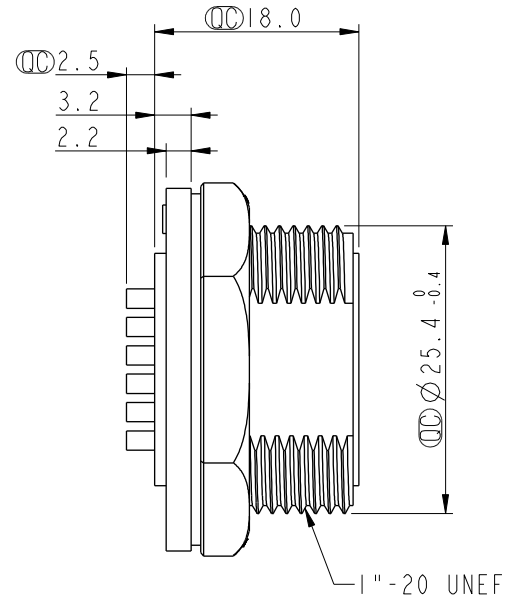
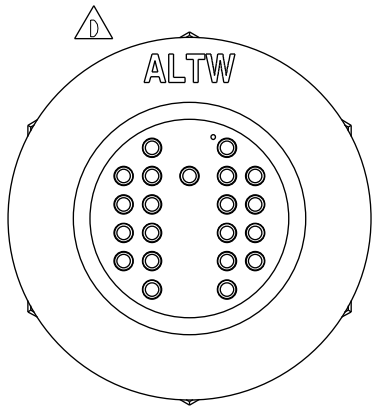
THIS DOCUMENT IS SUBJECT TO CHANGE WITHOUT NOTICE. IT IS CONFIDENTIAL AND A PROPERTY OF Amphenol LTW. DISCLOSURE TO THIRD PARTY HAS TO BE AUTHORIZED BY Amphenol LTW.

REV.	ECN NO.	DATE	SIGN	DESCRIPTION
E	LEN1650018	2016/04/26	Ruru	Modify Nut View & Logo & Dimension
F	LEN1840051	2018/04/12	Ethan	Modify Panel Thickness
G	CI90314	2019/03/13	Ruru	Modify Note

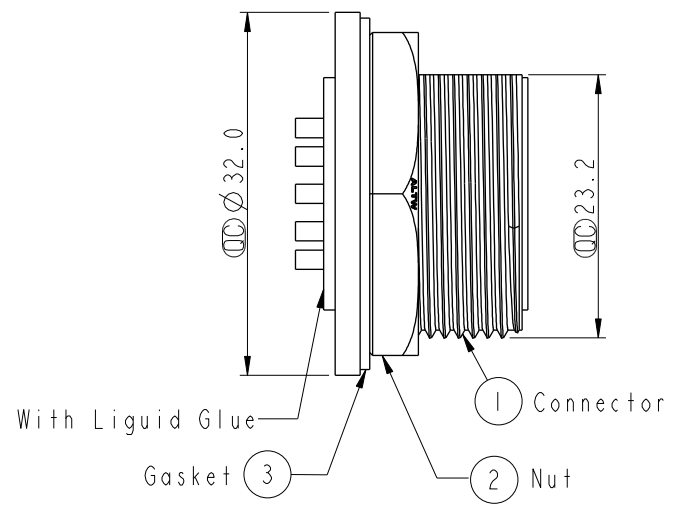
ALTW
 CONFIDENTIAL
 2019-03-13
 R&D DEPT.



Recommended Panel Cut-Out



Pin Assignments Front View



- Note: \triangle G
- * ⌀ Important Dimension.
 - * Waterproof Rate: IP67, Unmated
 - * Housing: Thermoplastic, Black
 - * Pin: Copper Alloy, Gold Plated
 - * Nut: Thermoplastic, Black
 - * Gasket: Rubber, Black
 - \triangle F* Use Waterproof Cap or Dust Cap
Panel Thickness Max: 1.8mm
 - \triangle F* Use without Waterproof Cap or Dust Cap
Panel Thickness Max: 3.0mm
 - * Gasket and Nut are packed separately in PE bags.

UNIT: mm

TOLERANCE	
.X	±0.25
.XX	±0.1
.XXX	±0.05
ANGLES	±1°

TITLE Large, Panel Screw 21Pin M Conn M Pin			
SCALE 1:1	SIZE A4	SHEET 1 OF 1	
REV. G	WC-REV. A.3	⌀ : Inspection item	

Amphenol LTW
 安費諾亮泰企業股份有限公司

ITEM NO. DU-21PMMS-SC7001	DRAWN BY Ruru	DATE 2019-03-13
DWG NO. DU-21PMMS-SC7001	CHECKED BY Rita	DATE 2019-03-13
CUSTOMER ALTW	APPROVED BY Max	DATE 2019-03-13