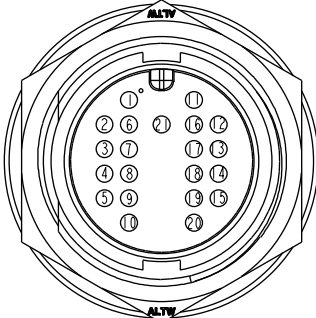
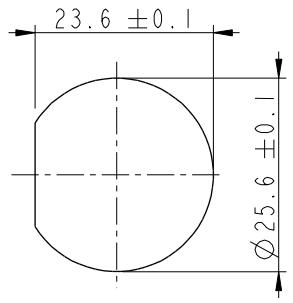


THIS DOCUMENT IS SUBJECT TO CHANGE WITHOUT NOTICE. IT IS CONFIDENTIAL AND A PROPERTY OF Amphenol LTW. DISCLOSURE TO THIRD PARTY HAS TO BE AUTHORIZED BY Amphenol LTW.

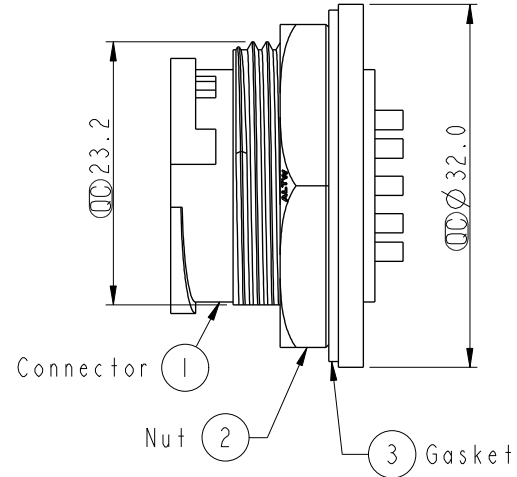
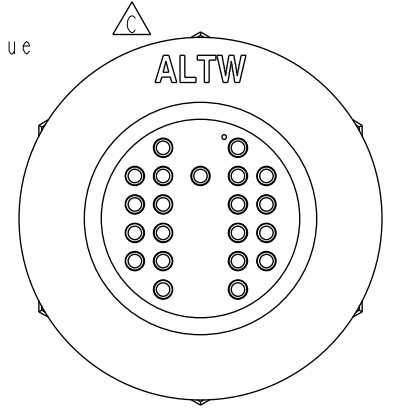
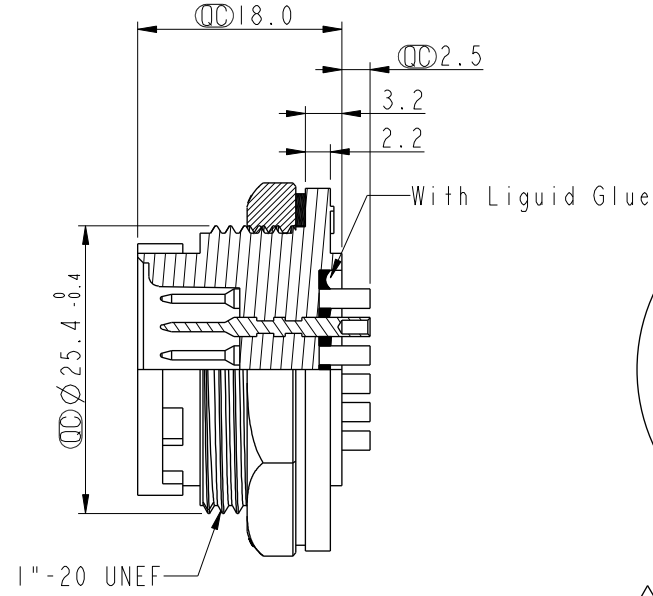
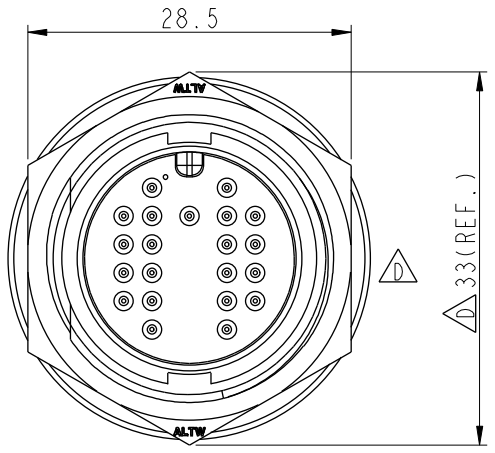
REV.	ECN NO.	DATE	SIGN	DESCRIPTION
C	LEN1510070	2014/12/25	Sam	Update Logo.
D	LEN1650017	2016/04/26	Ruru	Modify Nut View & Logo & Dimension
E	CI90314	2019/03/12	Ruru	Modify Note



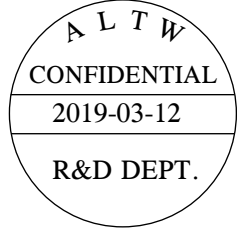
Pin Assignments  
Front View



Recommended  
Panel Cut-Out



- Note:  $\triangle$
- \*  $\text{CC}$  Important Dimension.
  - \* Waterproof Rate: IP67, Unmated
  - \* Housing: Thermoplastic, Black
  - \* Pin: Copper Alloy, Gold Plated
  - \* Nut: Thermoplastic, Black
  - \* Gasket: Rubber, Black
  - \* Liquid Glue: Clear
  - $\triangle A$  \* Use Waterproof Cap or Dust Cap  
Panel Thickness Max: 3.0mm
  - $\triangle B$  \* Use without Waterproof Cap or Dust Cap  
Panel Thickness Max: 4.0mm
  - \* Gasket and Nut are packed separately in PE bags.



UNIT: mm		
TOLERANCE	.X	±0.25
	.XX	±0.1
	.XXX	±0.05
ANGLES		±1°

TITLE Large, Panel Lock 21Pin M Conn M Pin			
SCALE 1:1	SIZE A4	SHEET 1 OF 1	
REV. E	WC-REV. A.3	$\text{CC}$ : Inspection item	

**Amphenol LTW**  
安費諾亮泰企業股份有限公司

ITEM NO. DU-21PMMS-LC7001	DRAWN BY Ruru	DATE 2019-03-12
DWG NO. DU-21PMMS-LC7001	CHECKED BY Rita	DATE 2019-03-12
CUSTOMER ALTW	APPROVED BY Max	DATE 2019-03-12