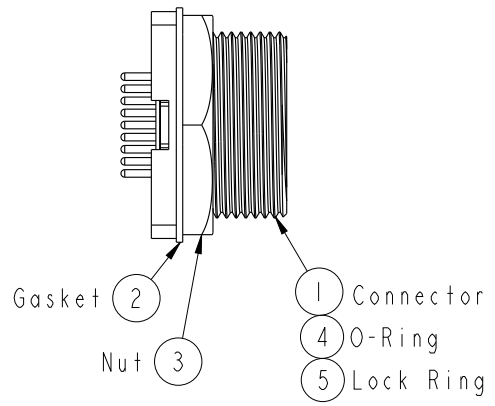
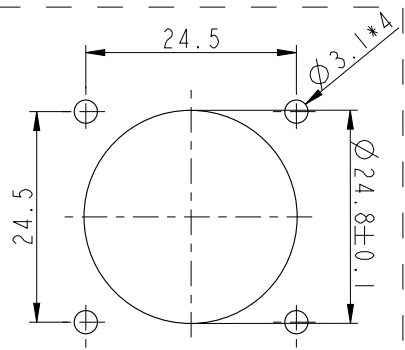
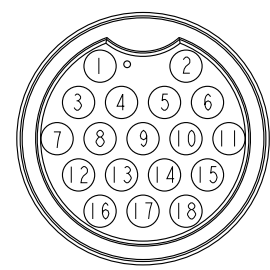
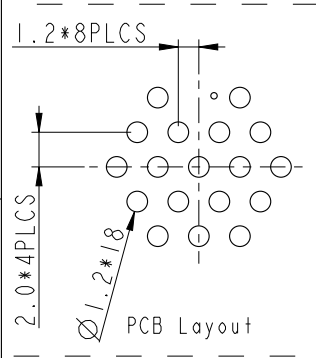
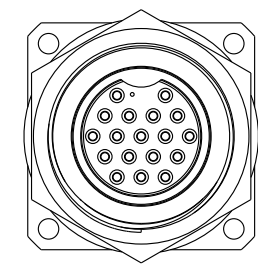
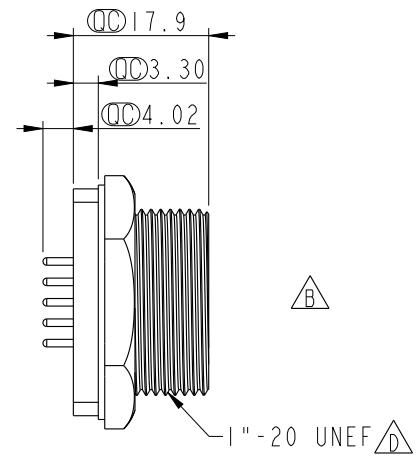
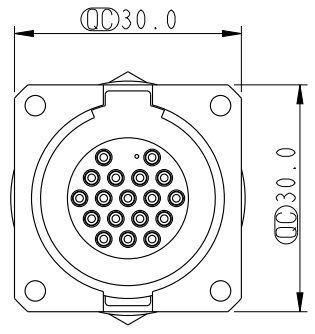


THIS DOCUMENT IS SUBJECT TO CHANGE WITHOUT NOTICE. IT IS CONFIDENTIAL AND A PROPERTY OF AMPHENOL LTW. DISCLOSURE TO THIRD PARTY HAS TO BE AUTHORIZED BY AMPHENOL LTW.

REV.	ECN NO.	DATE	SIGN	DESCRIPTION
B	LEN1350095	2013/05/09	Yulong	Change the Dimension
C	C190314	2019/03/13	Ruru	Modify Note
D	C191469	2019/08/16	Nan_Su	Change Dimensions

**ALTW**  
**CONFIDENTIAL**  
 2019-08-16  
**R&D DEPT.**



- Note:  $\triangle$
- \*  $\text{CC}$  Important Dimension To Check.
  - \* Waterproof Rate: IP68, Unmated  
IM Depth of water in 24 hours
  - \* Housing: Thermoplastic, Black
  - \* Pin: Copper Alloy, Gold Plated
  - \* Shield: Metal, Nickel Plated
  - \* Nut: Metal, Nickel Plated
  - \* Gasket: Rubber, Black
  - \* O-Ring: Rubber, Black
  - \* Lock Ring: Metal, Black Coated
  - \* Maximum Panel Thickness: 3.5mm
  - \* Gasket and Nut are packed separately in PE bags.

UNIT: mm			TITLE Large Panel Screw 18Pin M Conn F Pin
TOLERANCE	.X ±0.25	.XX ±0.1	SCALE 1:1
.XXX ±0.05	ANGLES ±1°	REV. D	SIZE A4
		WC-REV. .0	SHEET 1 OF 1
		$\text{CC}$ : Inspection item	

**Amphenol LTW**  
 安費諾亮泰企業股份有限公司

ITEM NO DSD-18PMFP-SS8001	DRAWN BY Nan_Su	DATE 2019-08-16
DWG NO DSD-18PMFP-SS8001	CHECKED BY Feng_Li	DATE 2019-08-16
CUSTOMER ALTW	APPROVED BY Jerry	DATE 2019-08-16