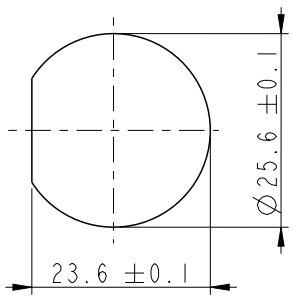
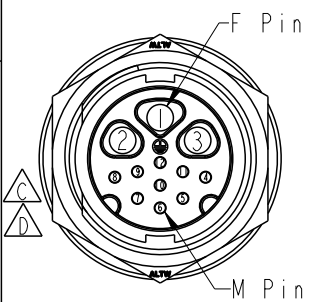
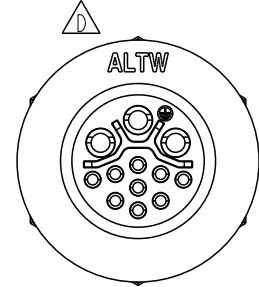
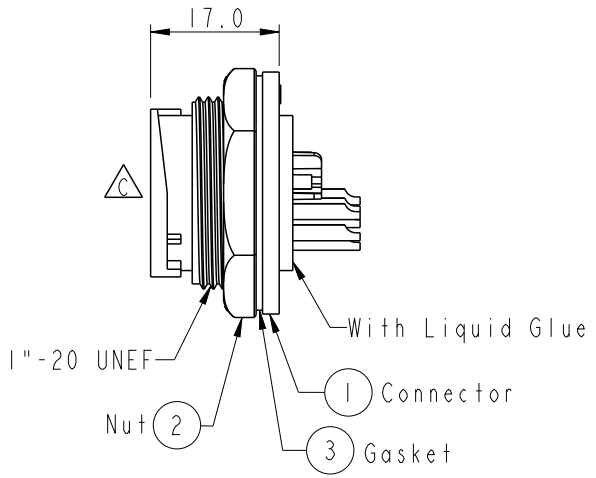
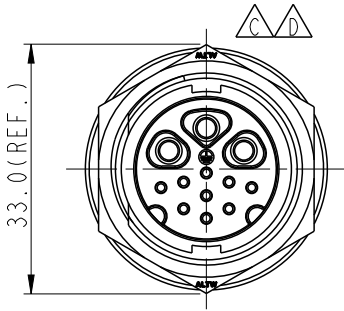
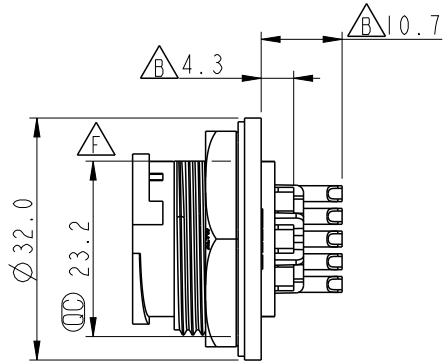
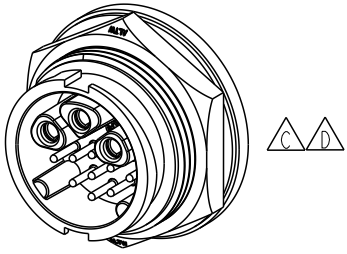


REV.	ECN NO.	DATE	SIGN	DESCRIPTION
D	LEN14C0331	2014/12/04	Sam	Update Logo.
E	C190314	2019/03/12	Ruru	Modify Note
F	C211015	2021/06/29	Aber	$\triangle F$ *1



Pin Assignments
Front View

Recommended
Panel Cut-Out

- NOTE: $\triangle E$
- * ⌀ Important Dimension To Check.
 - * Waterproof Rate: IP67, Unmated
 - * Housing: Thermoplastic, Black
 - * Pin: Copper Alloy, Gold Plated
 - * Nut: Thermoplastic, Black
 - * Gasket: Rubber, Black
 - * Use Waterproof Cap or Dust Cap
Panel Thickness Max: 3.0mm
 - * Use without Waterproof Cap or Dust Cap
Panel Thickness Max: 4.0mm
 - * Gasket and Nut are packed separately
in PE bags.

UNIT: mm		
TOLERANCE		
.X	±0.25	
.XX	±0.1	
.XXX	±0.05	
ANGLES	±1°	

TITLE Panel Connector 3FPin(20A)+9MPin(5A)			
SCALE 1:1	SIZE A4	SHEET 1 OF 1	
REV. F	WC-REV. B.2	⌀ : Inspection item	

Amphenol LTW
安費諾亮泰企業股份有限公司

ITEM NO. DCD-12PMDS-LC7001	DRAWN BY Ruru	DATE 2019-03-12
DWG NO. DCD-12PMDS-LC7001	CHECKED BY Rita	DATE 2019-03-12
CUSTOMER ALTW	APPROVED BY Max	DATE 2019-03-12

THIS DOCUMENT IS SUBJECT TO CHANGE WITHOUT NOTICE. IT IS CONFIDENTIAL AND A PROPERTY OF Amphenol LTW. DISCLOSURE TO THIRD PARTY HAS TO BE AUTHORIZED BY Amphenol LTW.