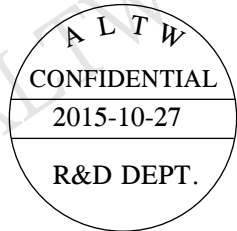
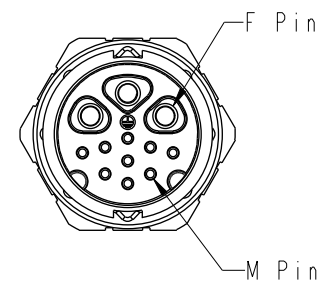
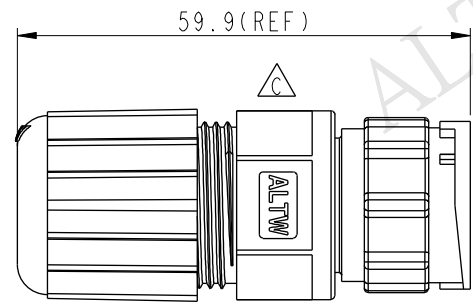
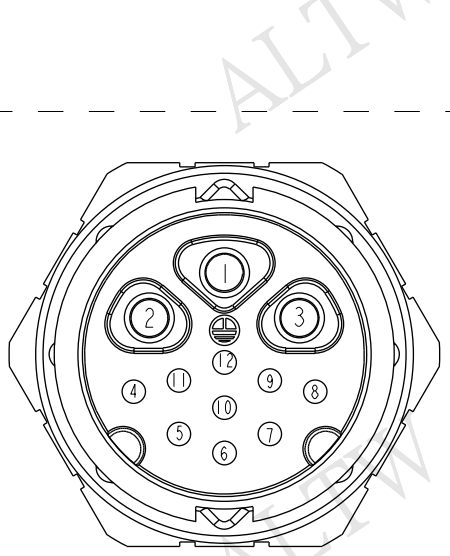
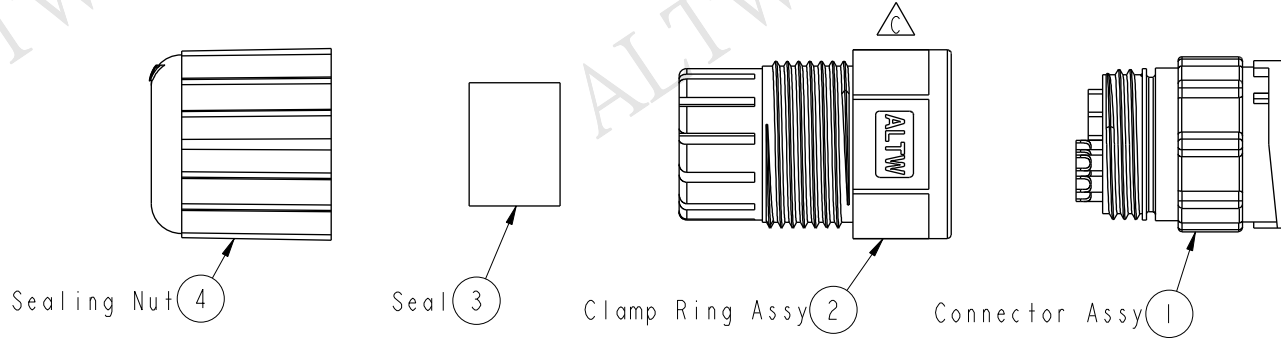


| REV. | ECN NO. | DATE | SIGN | DESCRIPTION |
|------|------------|------------|------|---------------------|
| B | LEN1350055 | 2013/04/24 | Ruru | Modify Cable OD Max |
| C | LEN15B0042 | 2015/10/27 | Ruru | Change Logo |



- Note:
- * CC Important Dimension To Check.
 - * Waterproof Rate: IP67
 - * Connector: Nylon+GF, Black
 - * Pin: Copper Alloy, Gold Plated
 - * Clamp Ring: Nylon, Black
 - * Seal: EPDM, Black
 - * Sealing Nut: Nylon, Black
 - * B Cable OD Max : $\varnothing 10.0\text{-}\varnothing 12.4\text{mm}$

| | | | | | | | | | |
|---|---|----------------|-------------------------------|---|---------|-----------------------------|------------------------------|--------------------|--------------------|
| A | UNIT: mm | | | TITLE Large Assy Connector MConn 3FPin(20A)+9MPin(5A) | | | ITEM NO DCD-12BMDA-LL7001 | DRAWN BY Ruru | DATE 2015-10-27 |
| | TOLERANCE .X ±0.25 .XX ±0.1 .XXX ±0.05 ANGLES ±1° | SCALE 1:1 | SIZE A4 | SHEET 1 | OF 1 | DWG NO DCD-12BMDA-LL7001 | CHECKED BY Rita | DATE 2015-10-27 | |
| | REV. C | WC-REV. B.2 | CC : Inspection item | CUSTOMER ALTW | | | APPROVED BY Lisa | DATE 2015-10-27 | |

Amphenol LTW
安費諾亮泰企業股份有限公司

THIS DOCUMENT IS SUBJECT TO CHANGE WITHOUT NOTICE. IT IS CONFIDENTIAL AND A PROPERTY OF AMPHENOL LTW. DISCLOSURE TO THIRD PARTY HAS TO BE AUTHORIZED BY AMPHENOL LTW.