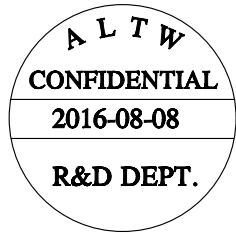
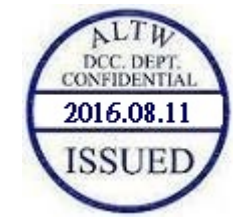
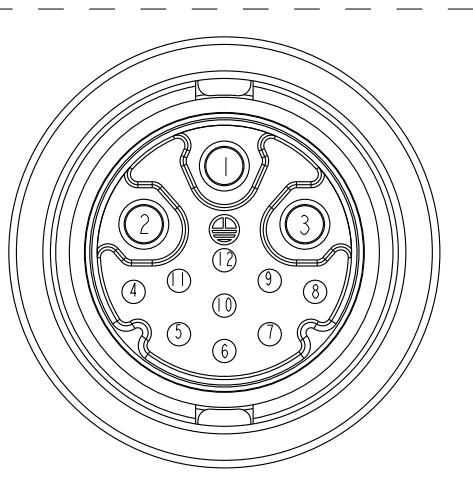
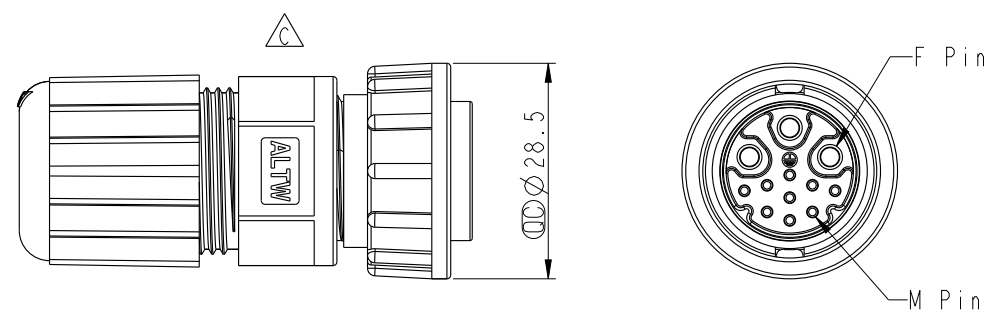
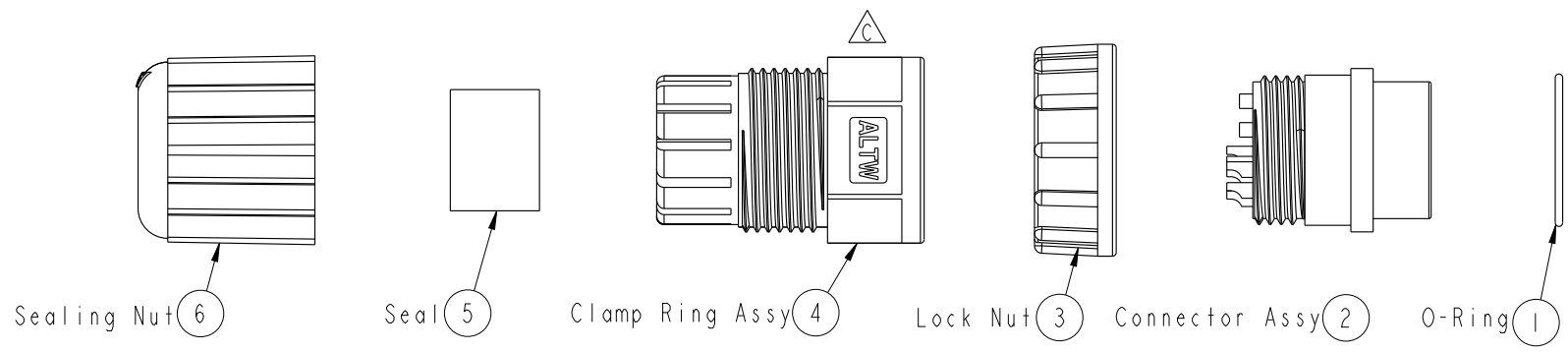


THIS DOCUMENT IS SUBJECT TO CHANGE WITHOUT NOTICE. IT IS CONFIDENTIAL AND A PROPERTY OF AMPHENOL LTW. DISCLOSURE TO THIRD PARTY HAS TO BE AUTHORIZED BY AMPHENOL LTW.

REV.	ECN NO.	DATE	SIGN	DESCRIPTION
B	LEN1350053	2013/04/24	Ruru	Modify Cable OD Max
C	LEN15B0040	2015/10/27	Ruru	Change Logo
D	LEN1680288	2016/08/08	Mafei	Updated The Note O-Ring Color



- Note:
- * (CC) Important Dimension To Check.
 - * Waterproof Rate: IP67
 - * Connector: Nylon+GF, Black
 - * Pin: Copper Alloy, Gold Plated
 - * (D) O-Ring: EPDM, Black
 - * Lock Nut: Nylon+GF, Black
 - * Clamp Ring: Nylon, Black
 - * Seal: EPDM, Black
 - * Sealing Nut: Nylon, Black
 - * (B) Cable OD Max : $\varnothing 10.0\text{-}\varnothing 12.4\text{mm}$

UNIT: mm		
TOLERANCE		
.X	± 0.25	
.XX	± 0.1	
.XXX	± 0.05	
ANGLES	$\pm 1^\circ$	

TITLE Large Assy Connector FConn 3FPin(20A)+9MPin(5A)			
SCALE 1:1	SIZE A4	SHEET 1 OF 1	
REV. D	WC-REV. B.3	(CC): Inspection item	

Amphenol LTW
安費諾亮泰企業股份有限公司

ITEM NO. DCD-12BFDA-LL7001	DRAWN BY Mafei	DATE 2016-08-08
DWG NO. DCD-12BFDA-LL7001	CHECKED BY Youdan	DATE 2016-08-08
CUSTOMER ALTW	APPROVED BY Jerry	DATE 2016-08-08