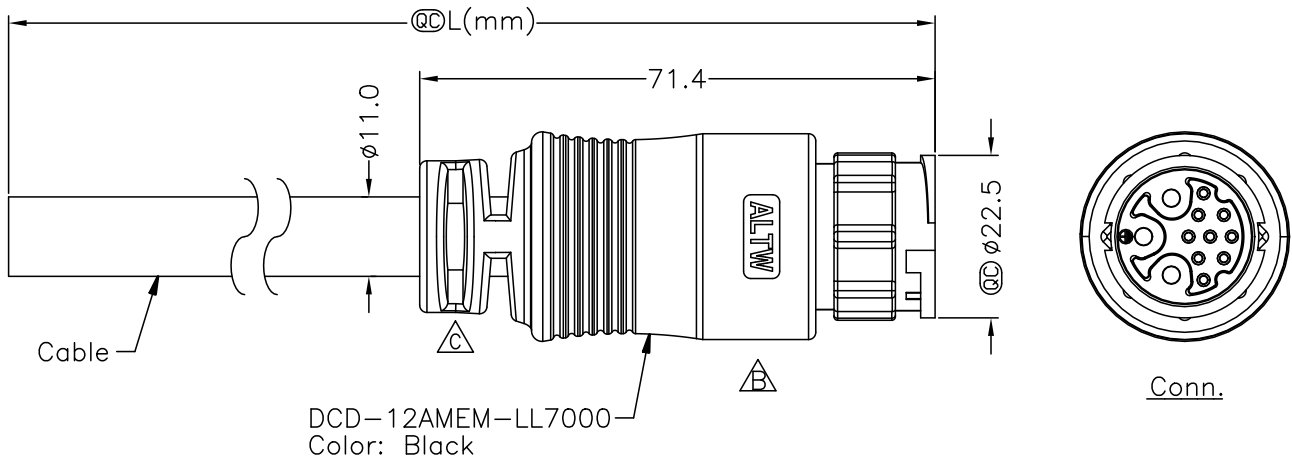
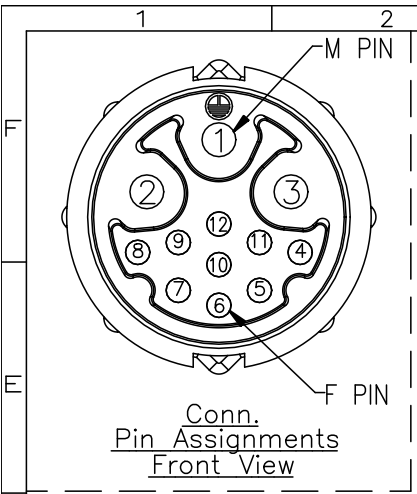


5	6	7	8
REV.	ECN NO.	DATE	SIGN
B	LEN1610477~480	2016/01/22	Ruru
C	C200500	2020/04/20	Angel Chou
			DESCRIPTION
			Change Logo
			△ x 1



12	Drain	地線	(24AWG)	Twist 對線
11	Brown	棕	(24AWG)	
10	Black	黑	(24AWG)	Twist 對線
9	Gray	灰	(24AWG)	
8	Blue	藍	(24AWG)	Twist 對線
7	Green	綠	(24AWG)	
6	Yellow	黃	(24AWG)	Twist 對線
5	White	白	(24AWG)	
4	Red	紅	(24AWG)	Twist 對線
3	Blue	藍	(16AWG)	
2	Brown	棕	(16AWG)	Twist 對線
1	Green/Yellow	綠/黃	(16AWG)	
Conn.	Wire Color			
Pin Out				

DCD-12AMEM-LL7AXX

↑

XX:01~99Meter
 Q1:01Meter
 Q2:02Meters
 ∴
 99:99Meters

Cable Length(L):01~99Meters

- Note:
- * @C Important Dimension To Check.
 - * Waterproof Rate: IP67
 - * Connector: Nylon+GF, Black
 - * Pin: Copper Alloy, Gold Plated
 - * Cable: UL2464 (24AWG*4P+D+AL/MY)+16AWG*3C+F+P, PVC Jacket, UV Resistant, OD=11.0mm, Black
 - * Cable Length Tolerance: 01M±40mm
 02M~05M:±60mm
 06M~10M:±100mm
 11M~30M:±200mm
 31M~99M:±500mm

UNIT:mm		TITLE	ITEM NO	DRAWN BY	DATE
TOLERANCE		Cable Connector 180° MConn 3MPin(20A)+9FPin(5A)	DWG NO	Ruru	2016/01/22
±0.5 mm		SCALE Free SHEET 1 OF 1	DCD-12AMEM-LL7AXX	CHECKED BY	DATE
		REV. C SIZE A4 @C :Inspection Item	CUSTOMER	Rita	2016/01/22
			ALTW	APPROVED BY	DATE
				Lisa	2016/01/22

Amphenol LTW
安費諾亮泰企業股份有限公司

THIS DOCUMENT IS SUBJECT TO CHANGE WITHOUT NOTICE. IT IS CONFIDENTIAL AND A PROPERTY OF Amphenol LTW. DISCLOSURE TO THIRD PARTY HAS TO BE AUTHORIZED BY Amphenol LTW.