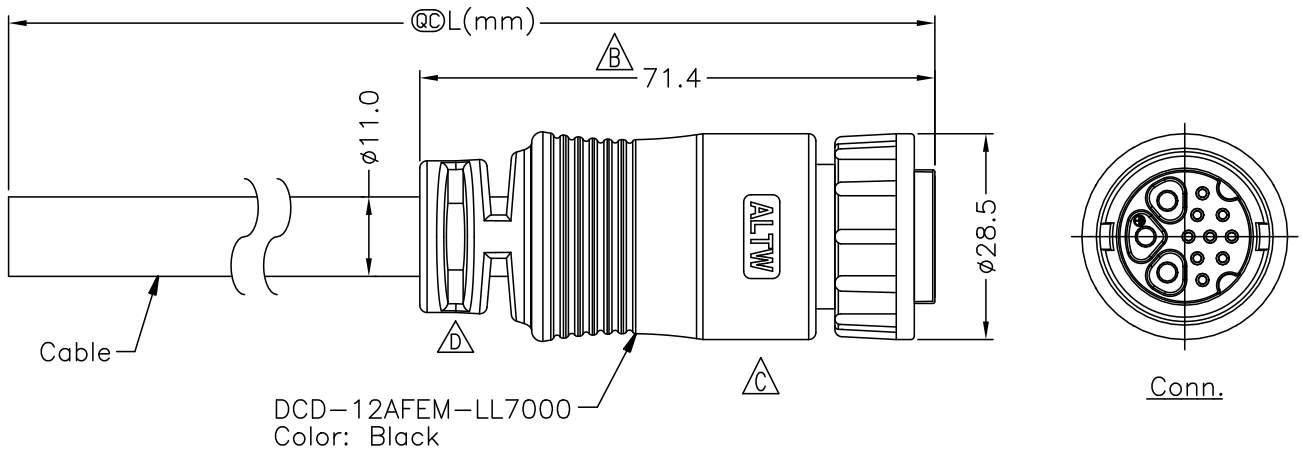
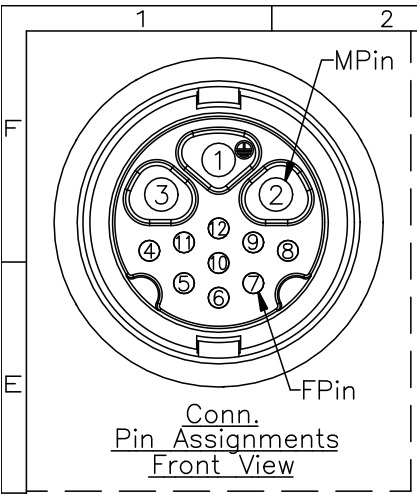


THIS DOCUMENT IS SUBJECT TO CHANGE WITHOUT NOTICE. IT IS CONFIDENTIAL AND A PROPERTY OF Amphenol LTW. DISCLOSURE TO THIRD PARTY HAS TO BE AUTHORIZED BY Amphenol LTW.

REV.	ECN NO.	DATE	SIGN	DESCRIPTION
B	LEN1140019	2011/03/22	Kevin Wang	Modify The Outermold
C	LEN1610468~472	2016/01/21	Ruru	Change Logo
D	C200500	2020/04/20	Angel Chou	Δ x 1



DCD-12AFEM-LL7AXX
 XX:01~99Meter
 01:01Meter
 02:02Meters
 ...
 99:99Meters
 Cable Length(L):01~99Meters

- Note:
- * @C Important Dimension To Check.
 - * Waterproof Rate: IP67
 - * Connector: Nylon+GF, Black
 - * Pin: Copper Alloy, Gold Plated
 - * Cable: UL2464 (24AWG*4P+D+AL/MY)+16AWG*3C+F+P, PVC Jacket, UV Resistant, OD=11.0mm, Black
 - * Cable Length Tolerance: 01M±40mm
 02M~05M:±60mm
 06M~10M:±100mm
 11M~30M:±200mm
 31M~99M:±500mm

12	Drain	地線	(24AWG)	Twist 對線
11	Brown	棕	(24AWG)	
10	Black	黑	(24AWG)	
9	Gray	灰	(24AWG)	Twist 對線
8	Blue	藍	(24AWG)	
7	Green	綠	(24AWG)	Twist 對線
6	Yellow	黃	(24AWG)	
5	White	白	(24AWG)	Twist 對線
4	Red	紅	(24AWG)	
3	Blue	藍	(16AWG)	
2	Brown	棕	(16AWG)	Twist 對線
1	Green/Yellow	綠/黃	(16AWG)	
Conn.	Wire Color			
	Pin Out			

UNIT:mm TOLERANCE ±0.5 mm	TITLE Cable Connector 180° FConn 3MPin(20A)+9FPin(5A)	SHEET 1 OF 1	Amphenol LTW 安費諾亮泰企業股份有限公司	ITEM NO	DRAWN BY Ruru	DATE 2016/01/21
				DWG NO DCD-12AFEM-LL7AXX	CHECKED BY Rita	DATE 2016/01/21
REV. D	SIZE A4	QC : Inspection Item		CUSTOMER ALTW	APPROVED BY Lisa	DATE 2016/01/21