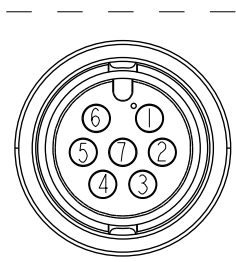
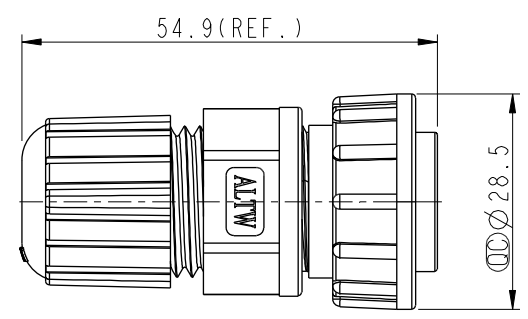
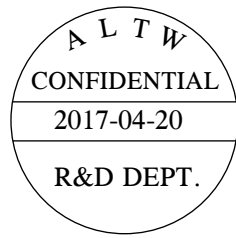
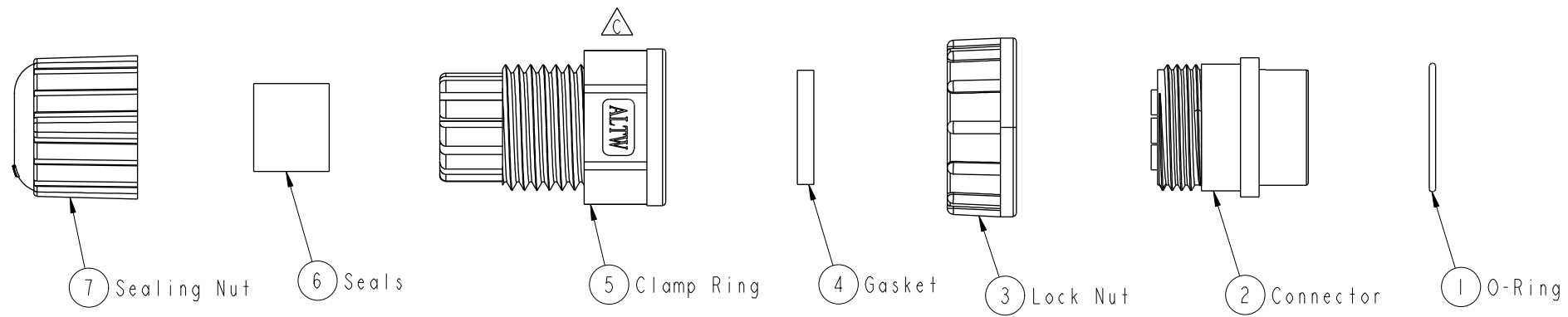
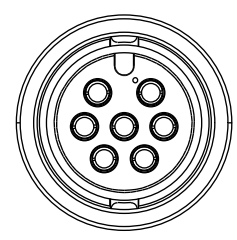


THIS DOCUMENT IS SUBJECT TO CHANGE WITHOUT NOTICE. IT IS CONFIDENTIAL AND A PROPERTY OF AMPHENOL LTW. DISCLOSURE TO THIRD PARTY HAS TO BE AUTHORIZED BY AMPHENOL LTW.

REV.	ECN NO.	DATE	SIGN	DESCRIPTION
B	LEN-870149	2008/07/25	Yuri	Update Drawing
C	LEN1741282	2017/04/20	Vicky	Update Logo



Pin Assignments
Front View



Conn.

- Note:
- * \varnothing Important Dimension
 - * Waterproof Rate: IP67
 - * Housing: Nylon+GF, Black
 - * fEMALE Pin: Copper Alloy, Gold Plated
 - * Lock Nut: Nylon+GF, Black
 - * $\triangle B$ Gasket: Silicone, Black
 - * O-Ring: EPDM, Black
 - * Clamp Ring: Nylon, Black
 - * $\triangle B$ Seals: EPDM, Black
 - * Sealing Nut: Nylon, Black
 - * Seals For Cable OD: \varnothing 5.5mm~10.8mm
 - * One Set Unassembled In One PE Bag

UNIT: mm TOLERANCE .X ±0.25 .XX ±0.1 .XXX ±0.05 ANGLES ±1°	TITLE Large Assy Lock 7Pin F Conn F Pin			Amphenol LTW 安費諾亮泰企業股份有限公司		ITEM NO DC-07BFFA-LL7001	DRAWN BY Vicky	DATE 2017-04-20
	SCALE 1:1	SIZE A4	SHEET 1 OF 1			DWG NO DC-07BFFA-LL7001	CHECKED BY Rita	DATE 2017-04-20
	REV. C	WC-REV. A.2	: Inspection item	CUSTOMER ALTW	APPROVED BY Max	DATE 2017-04-20		
						6	7	8