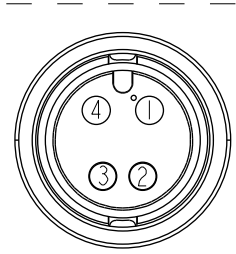
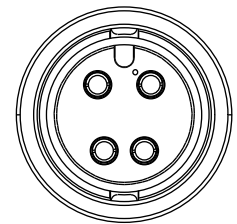
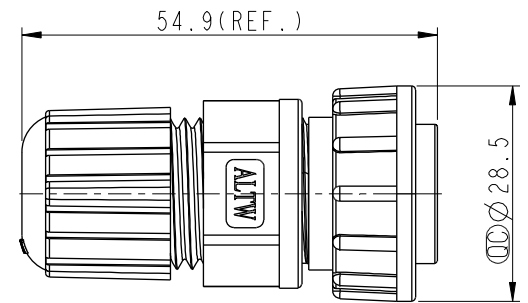
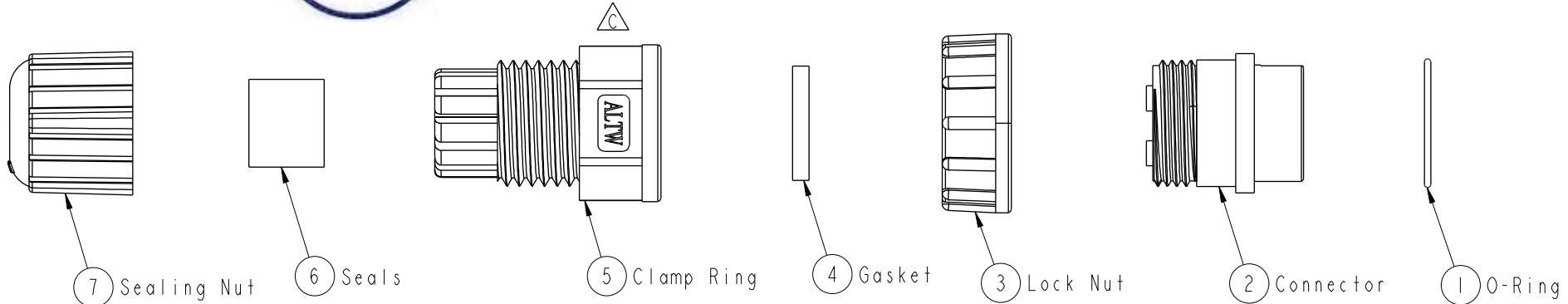


THIS DOCUMENT IS SUBJECT TO CHANGE WITHOUT NOTICE. IT IS CONFIDENTIAL AND A PROPERTY OF Amphenol LTW. DISCLOSURE TO THIRD PARTY HAS TO BE AUTHORIZED BY Amphenol LTW.

REV.	ECN NO.	DATE	SIGN	DESCRIPTION
B	LEN-870147	2008/07/25	Yuri	Update Drawing
C	LEN1741276	2017/04/20	Vicky	Update Logo



Pin Assignments  
Front View

- Note:
- \*  $\varnothing$  Important Dimension
  - \* Waterproof Rate: IP67
  - \* Housing: Nylon+GF, Black
  - \* Female Pin: Copper Alloy, Gold Plated
  - \* Lock Nut: Nylon+GF, Black
  - $\triangle B$  \* Gasket: Silicone, Black
  - \* O-Ring: EPDM, Black
  - \* Clamp Ring: Nylon, Black
  - $\triangle B$  \* Seals: EPDM, Black
  - \* Sealing Nut: Black, Nylon
  - \* Seal For Cable OD:  $\varnothing 5.5\text{mm} \sim 10.8\text{mm}$
  - \* One Set Unassembled In One PE Bag

UNIT: mm		
TOLERANCE		
.X	$\pm 0.25$	
.XX	$\pm 0.1$	
.XXX	$\pm 0.05$	
ANGLES	$\pm 1^\circ$	

TITLE Large Assy Lock 4Pin F Conn F Pin			
SCALE 1:1	SIZE A4	SHEET 1 OF 1	
REV. C	WC-REV. A.2	$\varnothing$ : Inspection item	

**Amphenol LTW**  
**安費諾亮泰企業股份有限公司**

ITEM NO. DC-04BFFA-LL7001	DRAWN BY Vicky	DATE 2017-04-20
DWG NO. DC-04BFFA-LL7001	CHECKED BY Rita	DATE 2017-04-20
CUSTOMER ALTW	APPROVED BY Max	DATE 2017-04-20