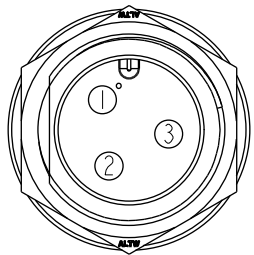
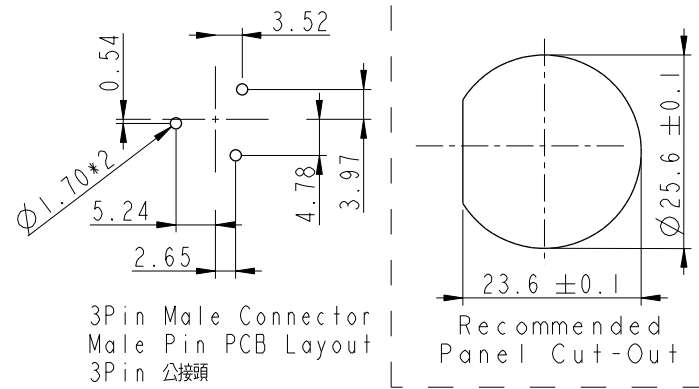
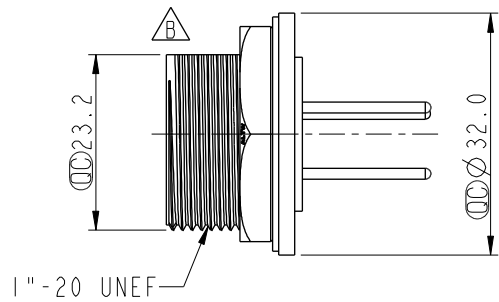


REV.	ECN NO.	DATE	SIGN	DESCRIPTION
C	LEN1730328	2017/03/22	Vicky	Update Logo
D	LEN1840080	2018/04/13	Ethan	Modify Panel Thickness
E	CI90310	2019/03/12	Ruru	Modify Note

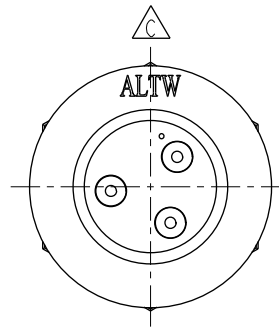
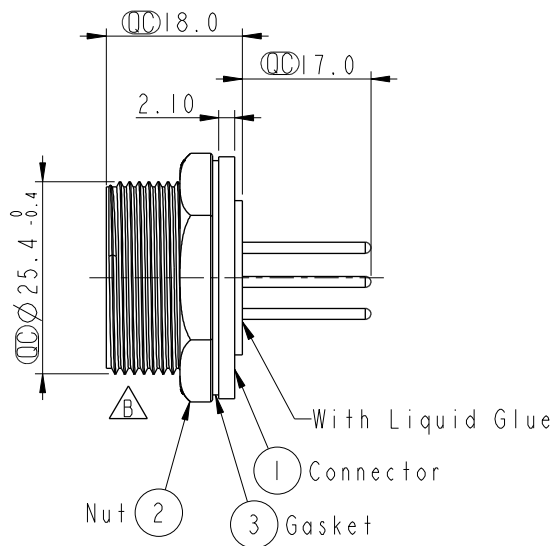
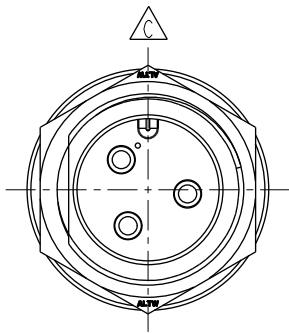
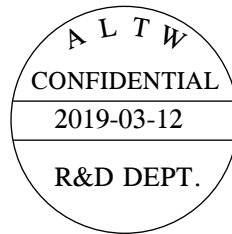


Pin Assignments
Front View



3Pin Male Connector
Male Pin PCB Layout
3Pin 公接頭
PCB挖孔位置尺寸圖

Recommended
Panel Cut-Out



Note: \triangle

- * \varnothing Important Dimension
- * Waterproof Rate: IP67, Unmated
- * Housing: Thermoplastic, Black
- * Pin: Copper Alloy, Gold Plated
- * Nut: Thermoplastic, Black
- * Gasket: Rubber, Black
- \triangle * Use Waterproof Cap or Dust Cap
Panel Thickness Max: 1.8mm
- \triangle * Use without Waterproof Cap or Dust Cap
Panel Thickness Max: 3.0mm
- * Gasket and Nut are packed separately
in PE bags.

UNIT: mm		
TOLERANCE	.X ±0.25	
	.XX ±0.1	
	.XXX ±0.05	
ANGLES	±1°	

TITLE Screw Type Connector For Panel Mount 3Pin Male Connector Male Pin(20A)			
SCALE	SIZE	SHEET	OF
1:1	A4	1	1
REV.	WC-REV.	\varnothing : Inspection item	
E	A.3		

Amphenol LTW
安費諾亮泰企業股份有限公司

ITEM NO	DC-03PMMP-SC7001	DRAWN BY	Ruru	DATE	2019-03-12
DWG NO	DC-03PMMP-SC7001	CHECKED BY	Rita	DATE	2019-03-12
CUSTOMER	ALTW	APPROVED BY	Max	DATE	2019-03-12

THIS DOCUMENT IS SUBJECT TO CHANGE WITHOUT NOTICE. IT IS CONFIDENTIAL AND A PROPERTY OF Amphenol LTW. DISCLOSURE TO THIRD PARTY HAS TO BE AUTHORIZED BY Amphenol LTW.