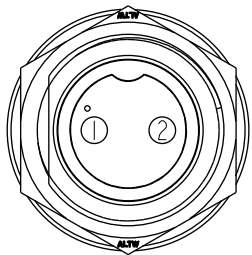
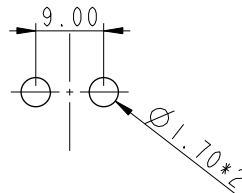
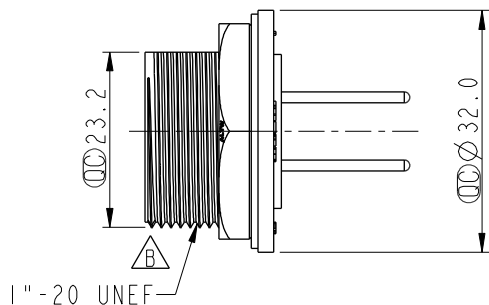


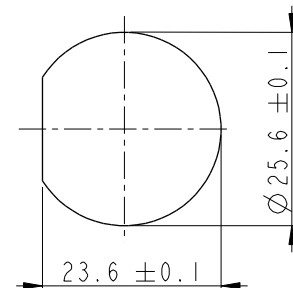
| REV. | ECN NO.    | DATE       | SIGN  | DESCRIPTION            |
|------|------------|------------|-------|------------------------|
| C    | LEN1740937 | 2017/04/10 | Vicky | Update Logo            |
| D    | LEN1840086 | 2018/04/14 | Ethan | Modify Panel Thickness |
| E    | CI90310    | 2019/03/14 | Ruru  | Modify Note            |



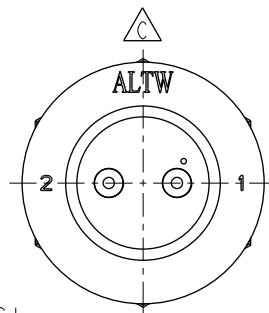
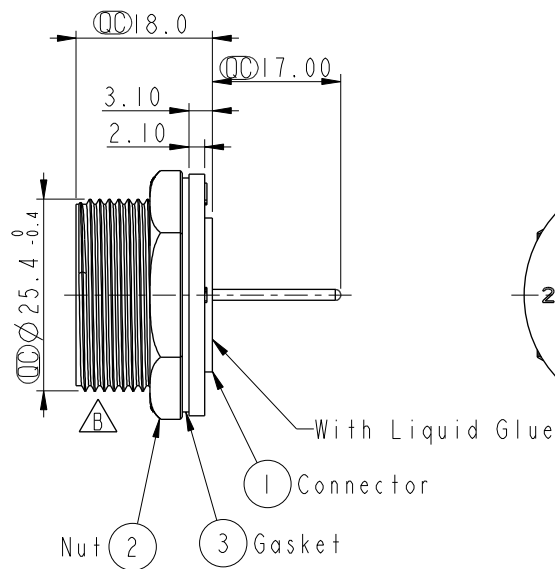
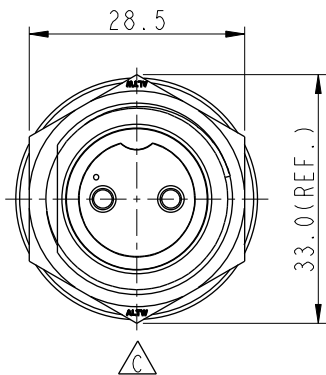
Pin Assignments  
Front View



2Pin Male Connector  
Male Pin PCB Layout  
2Pin 公接頭  
PCB 挖孔位置尺寸圖

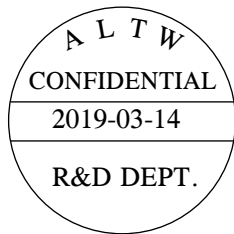


Recommended Panel Cut-Out



Note:  $\triangle$ E

- \*  $\text{CC}$  Important Dimension
- \* Waterproof Rate: IP67, Unmated
- \* Housing: Thermoplastic, Black
- \* Pin: Copper Alloy, Gold Plated
- \* Nut: Thermoplastic, Black
- \* Gasket: Rubber, Black
- $\triangle$ D \* Use Waterproof Cap or Dust Cap  
Panel Thickness Max: 1.8mm
- $\triangle$ D \* Use without Waterproof Cap or Dust Cap  
Panel Thickness Max: 3.0mm
- \* Gasket and Nut are packed separately in PE bags.



|   |  |   |  |                |                             |                  |                            |                    |                    |                    |                    |
|---|--|---|--|----------------|-----------------------------|------------------|----------------------------|--------------------|--------------------|--------------------|--------------------|
| UNIT: mm  |  | TITLE<br>Large, Panel Screw 2P M Conn F Pin |  |                | ITEM NO<br>DC-02PMFP-SC7001 |                  | DRAWN BY<br>Ruru           |                    | DATE<br>2019-03-14 |                    |                    |
|   |  | SCALE<br>1:1                                |  |                | SIZE<br>A4                  |                  | DWC NO<br>DC-02PMFP-SC7001 |                    | CHECKED BY<br>Rita |                    | DATE<br>2019-03-14 |
| TOLERANCE<br>.X ±0.25<br>.XX ±0.1<br>.XXX ±0.05<br>ANGLES ±1° |  | REV.<br>E                                   |  | WC-REV.<br>A.3 |                             | CUSTOMER<br>ALTW |                            | APPROVED BY<br>Max |                    | DATE<br>2019-03-14 |                    |

**Amphenol LTW**  
安費諾亮泰企業股份有限公司

THIS DOCUMENT IS SUBJECT TO CHANGE WITHOUT NOTICE. IT IS CONFIDENTIAL AND A PROPERTY OF Amphenol LTW. DISCLOSURE TO THIRD PARTY HAS TO BE AUTHORIZED BY Amphenol LTW.