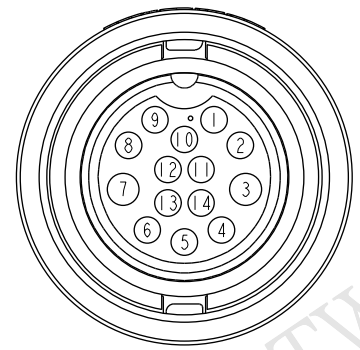
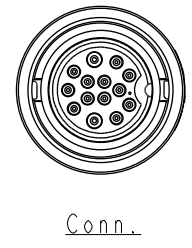
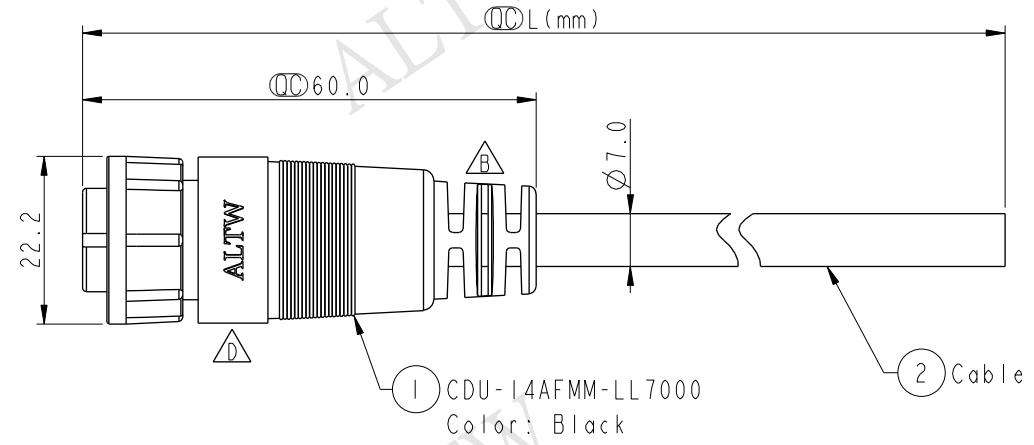
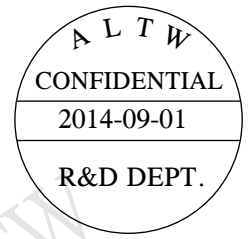


THIS DOCUMENT IS SUBJECT TO CHANGE WITHOUT NOTICE. IT IS CONFIDENTIAL AND A PROPERTY OF AMPHENOL LTW. DISCLOSURE TO THIRD PARTY HAS TO BE AUTHORIZED BY AMPHENOL LTW.

REV.	ECN NO.	DATE	SIGN	DESCRIPTION
B	LEN-9A0179~182	2009/04/20	Li Xiu Zhi	Change SR View
C	LEN1230612~615	2012/03/20	Li Chi Cheng	Change Pin Out
D	LEN1490096~099	2014/09/01	Vicky	Update Logo



14	Brown/White	棕/白
13	Black/White	黑/白
12	Light Green	淺綠
11	Pink	粉紅
10	White	白
9	Gray	灰
8	Purple	紫
7	Blue	藍
6	Green	綠
5	Yellow	黃
4	Orange	橘
3	Red	紅
2	Brown	棕
1	Black	黑
Conn.	Wire Color	
	Pin Out	

CDU-14AFMM-LL7AXX
 XX :01~99Meters
 01 :01Meter
 02 :02Meters
 ...
 99 :99Meters
 Cable Length(L):01~99Meters

- Note:
- * \varnothing Important Dimension To Check
 - * Waterproof Rate: IP67
 - * Housing: Nylon+GF, Black
 - * Male Pin: Copper Alloy, Gold Plated
 - * Lock Nut: Nylon+GF, Black
 - * O-Ring: EPDM, Black
 - * Cable: UL2464 24AWG*14C+Drain+Al/My, Black,PVC Jacket,UV Resistant,OD=7.0
 - * Cable Length Tolerance:
 - 02M~05M:±60mm
 - 06M~10M:±100mm
 - 11M~30M:±200mm
 - 31M~99M:±500mm

UNIT:mm TOLERANCE ±0.5 mm

TITLE			
Middle Cable Lock 14Pin F Conn M Pin			
SCALE	SIZE	SHEET	OF
1:1	A4	1	1
REV.	WC-REV.	\varnothing : Inspection item	
D	A.1		

Amphenol LTW
 安費諾亮泰企業股份有限公司

ITEM NO	DRAWN BY	DATE
	Vicky	2014-09-01
DWG NO	CHECKED BY	DATE
CDU-14AFMM-LL7AXX	Sam	2014-09-01
CUSTOMER	APPROVED BY	DATE
ALTW	Rita	2014-09-01