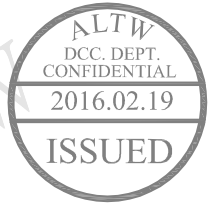
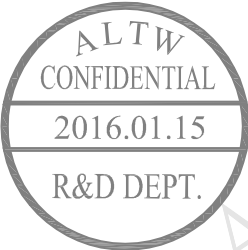
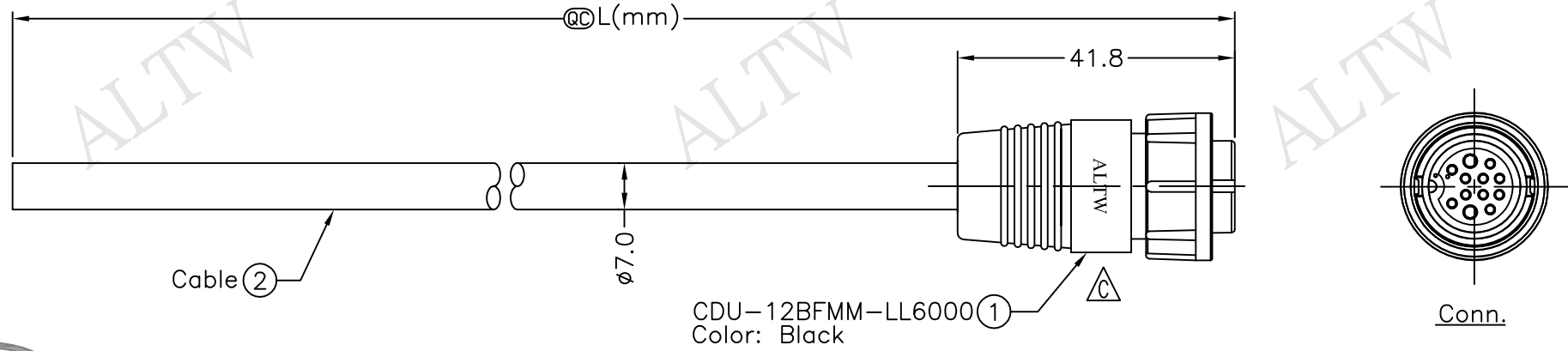


| REV. | ECN NO. | DATE | SIGN | DESCRIPTION |
|------|----------------|------------|-------|--------------------|
| B | LEN-9C0071~074 | 2009/12/03 | Kevin | Change The PIN Out |
| C | LEN1620182~185 | 2016/01/15 | Ruru | Change Logo & Note |



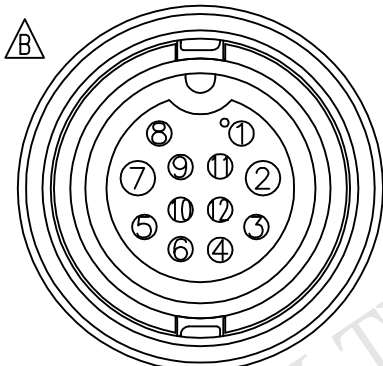
CDU-12BFMM-LL6AXX

XX:01~99Meters
 01:01Meter
 02:02Meters
 ...
 99:99Meters

Cable Length(L):01~99Meters

Note:

- * @Q Important Dimension.
- * Waterproof Rate: IP66
- * Connector: Nylon+GF, Black
- * Male Pin: Copper Alloy, Gold Plated
- * O-Ring: EPDM, Black
- * Nut: Nylon+GF, Black
- * Cable: UL2464 24AWG*12C+Drain+AL/My Black, PVC Jacket, UV Resistant, OD=7.0mm
- * Cable Length Tolerance: 01M: ±40mm
 02M~05M: ±60mm
 06M~10M: ±100mm
 11M~30M: ±200mm
 31M~99M: ±500mm



| | |
|-------------|-------|
| Light Green | 12 |
| Pink | 11 |
| White | 10 |
| Gray | 9 |
| Purple | 8 |
| Blue | 7 |
| Green | 6 |
| Yellow | 5 |
| Orange | 4 |
| Red | 3 |
| Brown | 2 |
| Black | 1 |
| Wire Color | Conn. |
| Pin Out | |

| | |
|-----------|--------|
| UNIT:mm | |
| TOLERANCE | ±0.5mm |

| | | | |
|-------------------------------|------|--------|--------|
| TITLE | | Middle | |
| Cable Lock 12Pin F Conn M Pin | | | |
| SCALE | Free | SHEET | 1 OF 1 |
| REV. | C | SIZE | A4 |
| QC : Inspection Item | | | |

Amphenol LTW
 安費諾亮泰企業股份有限公司

| | | |
|-------------------|-------------|------------|
| ITEM NO | DRAWN BY | DATE |
| | Ruru | 2016/01/15 |
| DWG NO | CHECKED BY | DATE |
| CDU-12BFMM-LL6AXX | Rita | 2016/01/15 |
| CUSTOMER | APPROVED BY | DATE |
| ALTW | Lisa | 2016/01/15 |

THIS DOCUMENT IS SUBJECT TO CHANGE WITHOUT NOTICE. IT IS CONFIDENTIAL AND A PROPERTY OF Amphenol LTW. DISCLOSURE TO THIRD PARTY HAS TO BE AUTHORIZED BY Amphenol LTW.

A B C D E F

1 2 3 4 5 6 7 8