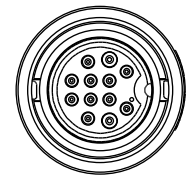
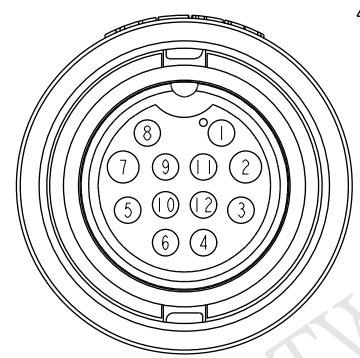
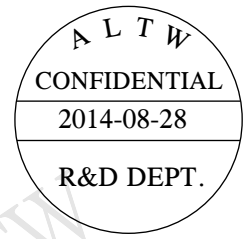
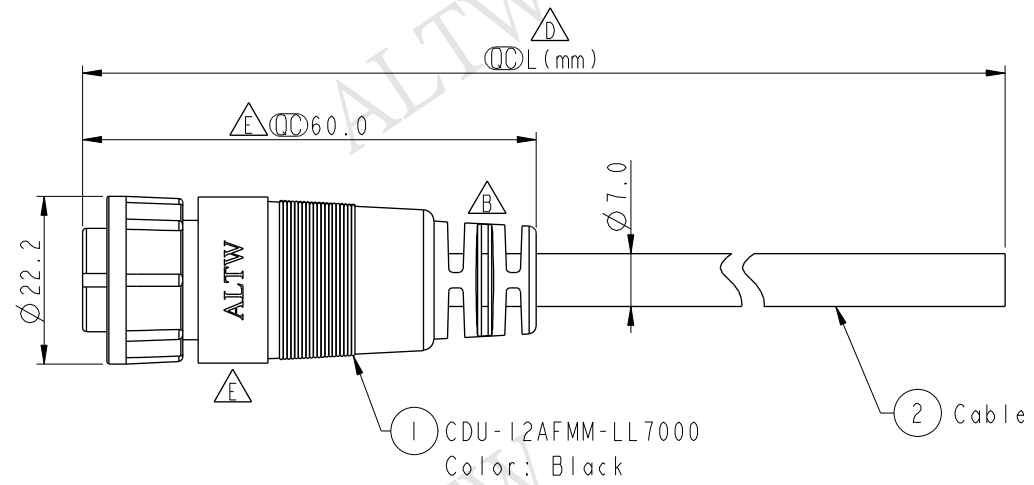


THIS DOCUMENT IS SUBJECT TO CHANGE WITHOUT NOTICE. IT IS CONFIDENTIAL AND A PROPERTY OF AMPHENOL LTW. DISCLOSURE TO THIRD PARTY HAS TO BE AUTHORIZED BY AMPHENOL LTW.

REV.	ECN NO.	DATE	SIGN	DESCRIPTION
C	LEN-9C0060~063	2009/12/03	Kevin	Change The Pin Out
D	LEN-030196~199	2010/03/24	Li Xiu Zhi	Change Dimension
E	LEN1490076~079	2014/08/28	Vicky	Update Logo & Dimension



Conn.



Pin Assignments  
Front View

12	Light Green	淺綠
11	Pink	粉紅
10	White	白
9	Gray	灰
8	Purple	紫
7	Blue	藍
6	Green	綠
5	Yellow	黃
4	Orange	橘
3	Red	紅
2	Brown	棕
1	Black	黑
Conn.	Wire Color	Pin Out

CDU-12AFMM-LL7AXX

XX : 01~99Meters  
01 : 01Meter  
02 : 02Meters  
:  
:  
99 : 99Meters

Cable Length(L): 01~99Meters

- Note:**
- \*  $\varnothing$  Important Dimension To Check
  - \* Waterproof Rate: IP67
  - \* Housing: Nylon+GF, Black
  - \* Male Pin: Copper Alloy, Gold Plated
  - \* Lock Nut: Nylon+GF, Black
  - \* O-Ring: EPDM, Black
  - \* Cable: UL2464 24AWG\*12C+Drain+Al/My, Black, PVC Jacket, UV Resistant, OD=7.0
  - \* Cable Length Tolerance:
    - 01M: ±40mm
    - 02M~05M: ±60mm
    - 06M~10M: ±100mm
    - 11M~30M: ±200mm
    - 31M~99M: ±500mm

UNIT:mm		TITLE
TOLERANCE	±0.5 mm	Middle Cable Lock 12Pin F Conn M Pin
SCALE	1:1	SIZE A4
REV.	E	SHEET 1 OF 1
WC-REV.	A.1	QC: Inspection item

**Amphenol LTW**  
安費諾亮泰企業股份有限公司

ITEM NO	DWG NO	CUSTOMER	DRAWN BY	CHECKED BY	APPROVED BY	DATE
	CDU-12AFMM-LL7AXX	ALTW	Vicky	Sam	Rita	2014-08-28