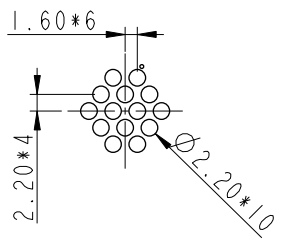
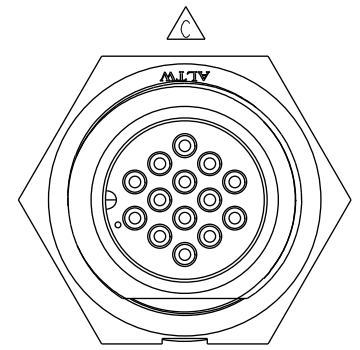
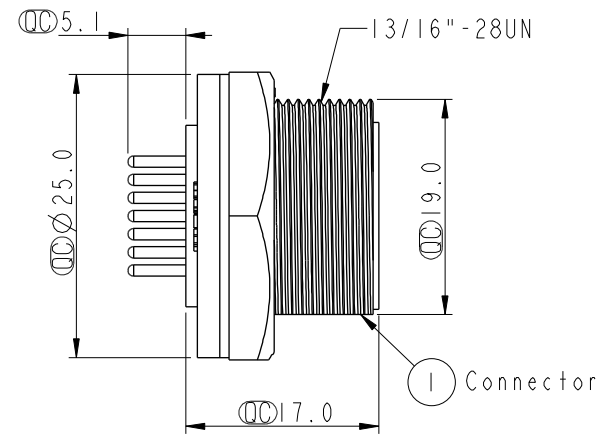
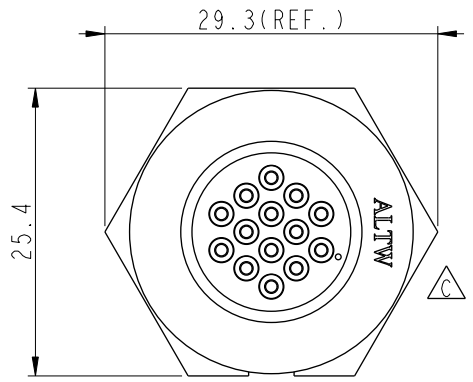
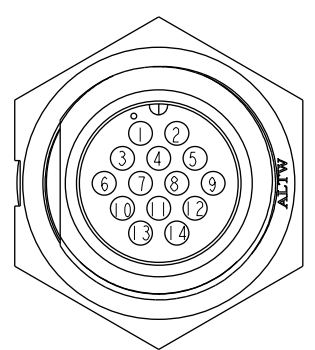


THIS DOCUMENT IS SUBJECT TO CHANGE WITHOUT NOTICE. IT IS CONFIDENTIAL AND A PROPERTY OF Amphenol LTW. DISCLOSURE TO THIRD PARTY HAS TO BE AUTHORIZED BY Amphenol LTW.

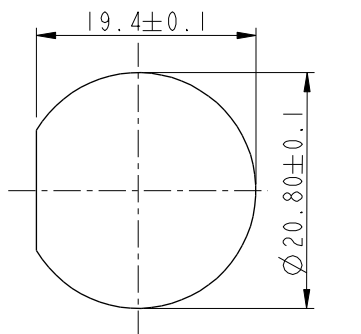
REV.	ECN NO.	DATE	SIGN	DESCRIPTION
B	LEN-8B0152	2008/09/25	Shin	Add Note
C	LEN1530262	2014/12/25	Ruru	Change Logo
D	CI90310	2019/03/08	Ruru	Modify Note



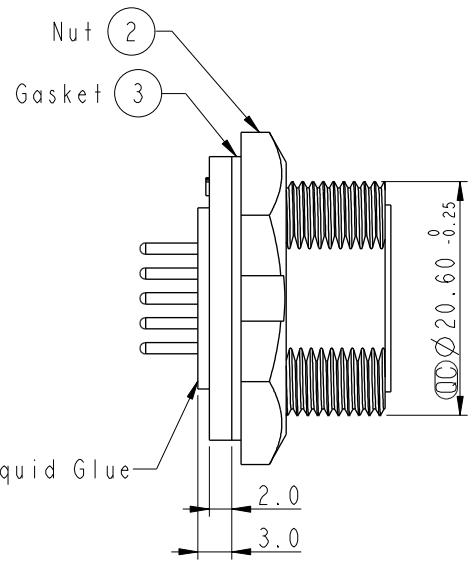
14Pin Male Connector
Male Pin PCB Layout



Pin Assignments
Front View



Recommended Panel Cut-Out



- Note: \triangle
- * ⌀ Important Dimension To Check.
 - * Waterproof Rate: IP67, Unmated
 - * Housing: Thermoplastic, Black
 - * Pin: Copper Alloy, Gold Plated
 - * Nut: Thermoplastic, Black
 - * Gasket: Rubber, Black
 - \triangle * Use with waterproof cap or dust cap
Maximum Panel Thickness: 2.0mm
 - \triangle * Use without waterproof cap or dust cap
Maximum Panel Thickness: 3.0mm
 - * Gasket and Nut are packed separately in PE bags.

UNIT:mm		
TOLERANCE	.X ±0.25	
	.XX ±0.1	
	.XXX ±0.05	
ANGLES	±1°	

TITLE Middle Panel Screw 14Pin M Conn M Pin			
SCALE 1:1	SIZE A4	SHEET 1 OF 1	
REV. D	WC-REV. A.3	⌀ : Inspection item	

Amphenol LTW
安費諾亮泰企業股份有限公司

ITEM NO CD-14PMMP-SC7001	DRAWN BY Ruru	DATE 2019-03-08
DWG NO CD-14PMMP-SC7001	CHECKED BY Rita	DATE 2019-03-08
CUSTOMER ALTW	APPROVED BY Max	DATE 2019-03-08