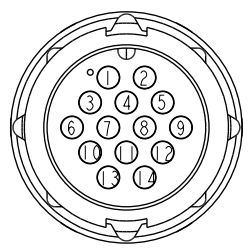
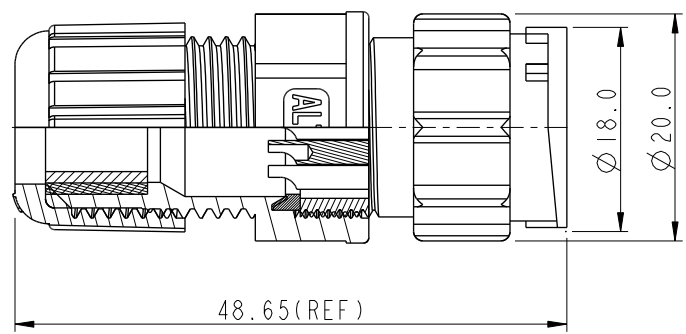
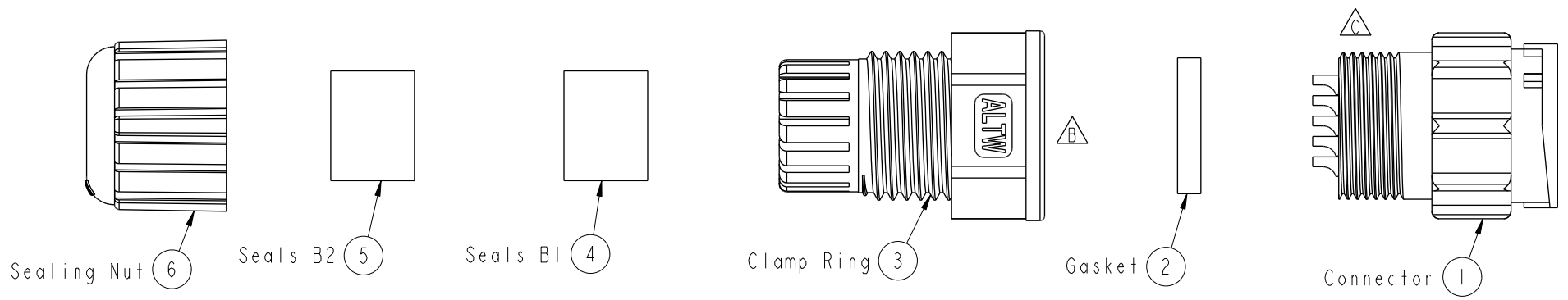


THIS DOCUMENT IS SUBJECT TO CHANGE WITHOUT NOTICE. IT IS CONFIDENTIAL AND A PROPERTY OF AMPHENOL LTW. DISCLOSURE TO THIRD PARTY HAS TO BE AUTHORIZED BY AMPHENOL LTW.

REV.	ECN NO.	DATE	SIGN	DESCRIPTION
B	LEN1530174	2014/12/18	Ruru	Change Logo
C	C200915	2020/06/17	Ruru	$\triangle C$ X3



Pin Assignments  
Front View 前視圖



$\triangle C$   $\triangle B$  Note:

- \*  $\text{\textcircled{C}}$  Important Dimension
- \* Housing: Thermoplastic, Black
- \* Gasket: Rubber, Black
- \* Clamp Ring: Thermoplastic, Black
- \* Seals B1: Rubber, Black
- \* Seals B2: Rubber, Black
- \* Sealing Nut: Thermoplastic, Black
- \* Seal B1 for Cable OD:  $\varnothing 7.6\text{mm} \sim \varnothing 9.6\text{mm}$
- \* Seal B2 for Cable OD:  $\varnothing 4.0\text{mm} \sim \varnothing 7.6\text{mm}$
- \* One Set Unassembled in One PE Bag

UNIT: mm		
TOLERANCE	.X $\pm 0.25$	
	.XX $\pm 0.1$	
	.XXX $\pm 0.05$	
ANGLES	$\pm 1^\circ$	

TITLE O CERES, C-5A, 14P, CABLE W/O SR M, M, FI SOLDER, 2LOCK $\triangle C$			
SCALE 1:1	SIZE A4	SHEET 1 OF 1	
REV. C	WC-REV. A.3	$\text{\textcircled{C}}$ : Inspection item	

**Amphenol LTW**  
安費諾亮泰企業股份有限公司

ITEM NO. CD-14BMA-LL7001	DRAWN BY Ruru	DATE 2014-12-18
DWG NO. CD-14BMA-LL7001	CHECKED BY Rita	DATE 2014-12-18
CUSTOMER ALTW	APPROVED BY Win	DATE 2014-12-18