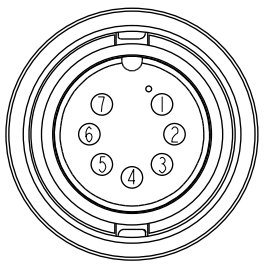
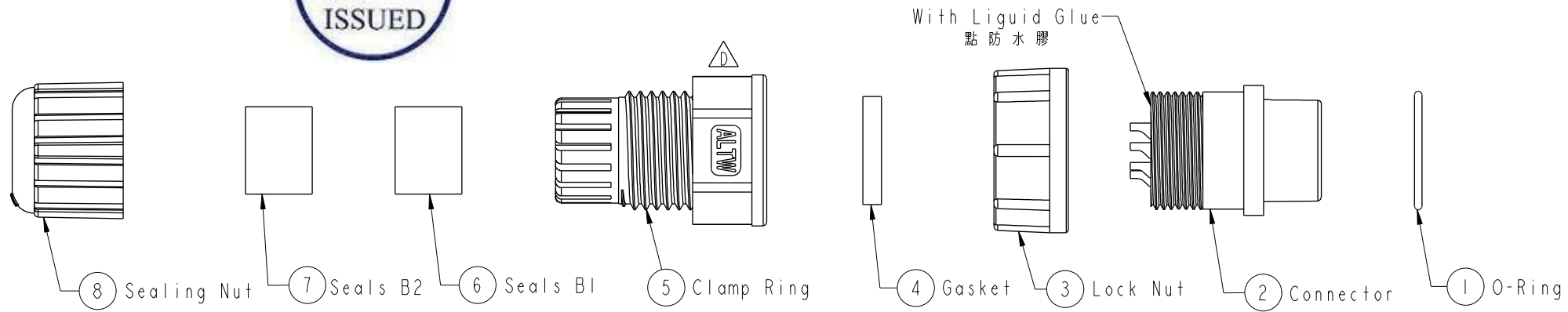
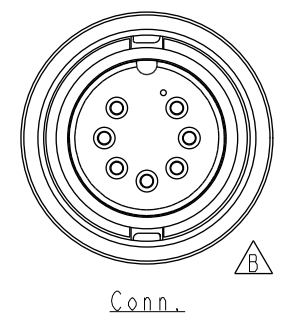
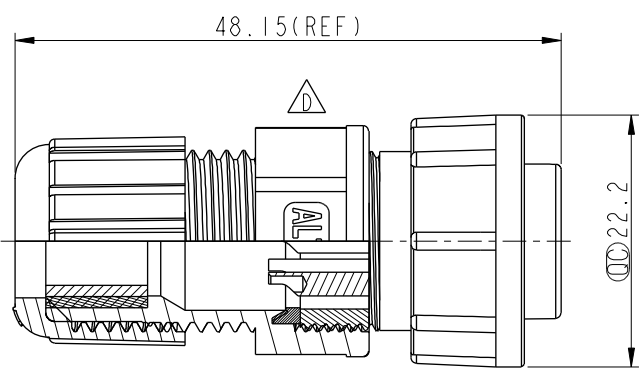


THIS DOCUMENT IS SUBJECT TO CHANGE WITHOUT NOTICE. IT IS CONFIDENTIAL AND A PROPERTY OF AMPHENOL LTW. DISCLOSURE TO THIRD PARTY HAS TO BE AUTHORIZED BY AMPHENOL LTW.

REV.	ECN NO.	DATE	SIGN	DESCRIPTION
B	LEN-0C0090	2010/11/23	IVNA	Change View
C	LEN1260007	2012/05/30	Vicky	Modify Note.
D	LEN1741313	2017/04/20	Ruru	Change Logo



Pin Assignments  
Front View



- Note:
- \*  $\varnothing$  Important Dimension To Check.
  - \* Waterproof Rate: IP67
  - \* Housing: Nylon+GF, Black.
  - \* Female Pin: Copper Alloy, Gold Plated.
  - \* O-Ring: EPDM, Black.
  - \* Lock Nut: Nylon+GF, Black.
  - \* Gasket: Silicone, Black.
  - \* Seals: EPDM, Black.
  - \* Clamp Ring: Nylon, Black.
  - \* Sealing Nut: Nylon, Black.
  - \* Seals B1 for Cable OD:  $\varnothing 7.6\text{mm} \sim \varnothing 9.6\text{mm}$
  - \* Seals B2 for Cable OD:  $\varnothing 4.0\text{mm} \sim \varnothing 7.6\text{mm}$
  - \* One Set Unassembled In One PE Bag.

UNIT:mm		
TOLERANCE		
.X	$\pm 0.25$	
.XX	$\pm 0.1$	
.XXX	$\pm 0.05$	
ANGLES	$\pm 1^\circ$	

TITLE Middle, Assy Lock 7Pin F Conn F Pin			
SCALE 1:1	SIZE A4	SHEET 1 OF 1	
REV. D	WC-REV. A.3	$\varnothing$ : Inspection item	

**Amphenol LTW**  
安費諾亮泰企業股份有限公司

ITEM NO CD-07BFFA-LL7001	DRAWN BY Ruru	DATE 2017-04-20
DWG NO CD-07BFFA-LL7001	CHECKED BY Rita	DATE 2017-04-20
CUSTOMER ALTW	APPROVED BY Max	DATE 2017-04-20