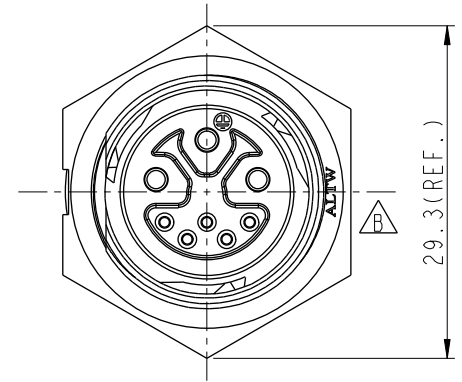
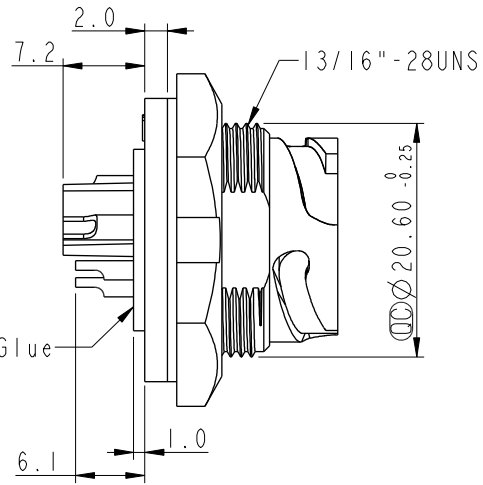
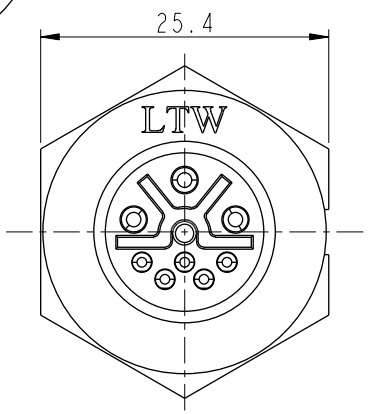


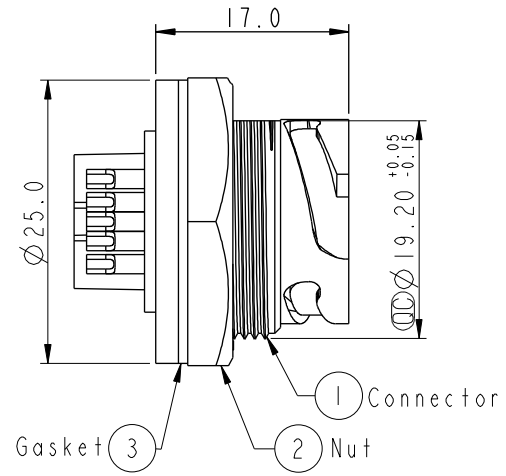
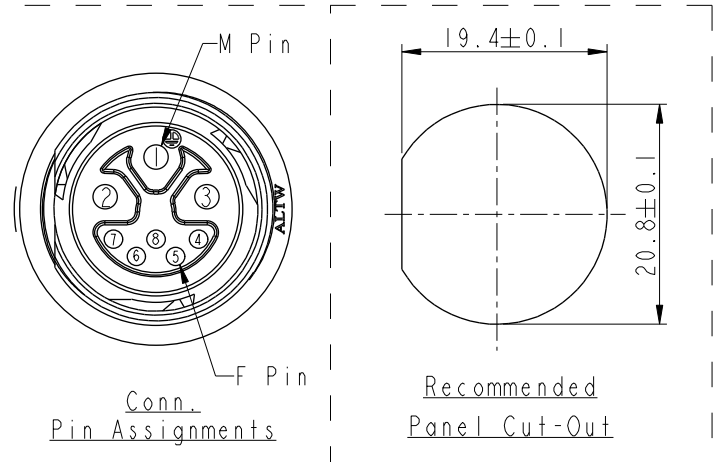
THIS DOCUMENT IS SUBJECT TO CHANGE WITHOUT NOTICE. IT IS CONFIDENTIAL AND A PROPERTY OF Amphenol LTW. DISCLOSURE TO THIRD PARTY HAS TO BE AUTHORIZED BY Amphenol LTW.

REV.	ECN NO.	DATE	SIGN	DESCRIPTION
A	Initial Release	2010/10/19	Jimmy	Rev.01 Changed To Rev.A
B	CI90271	2019/02/27	Ruru	Modify Note & Change Logo

ALTW
CONFIDENTIAL
 2019-02-27
R&D DEPT.



With Liquid Glue



Note: B

- * Important Dimension To Check.
- * Waterproof Rate: IP67, Unmated
- * Housing: Thermoplastic, Black
- * Pin: Copper Alloy, Gold Plated
- * Nut: Thermoplastic, Black
- * Gasket: Rubber, Gray
- * Use With Waterproof Cap Or Dust Cap
Panel Thickness Max: 3.0mm
- * Use Without Waterproof Cap Or Dust Cap
Panel Thickness Max: 4.0mm
- * Gasket and Nut are packed separately
in PE bags.

UNIT: mm TOLERANCE .X ±0.25 .XX ±0.1 .XXX ±0.05 ANGLES ±1°	TITLE HyBrid Panel, Middle, 3Key 3MPin(10A)+5FPin(2A)			<h1>Amphenol LTW</h1> <h2>安費諾亮泰企業股份有限公司</h2>		ITEM NO. CBU-08PMES-TC7001	DRAWN BY Ruru	DATE 2019-02-27
	SCALE 3:2	SIZE A4	SHEET 1 OF 1	DWG NO. CBU-08PMES-TC7001	CHECKED BY Rita	DATE 2019-02-27		
	REV. B	WC-REV. A.1	Inspection item	CUSTOMER ALTW	APPROVED BY Max	DATE 2019-02-27		
				W10814-03-01A2				