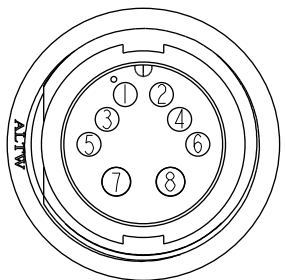
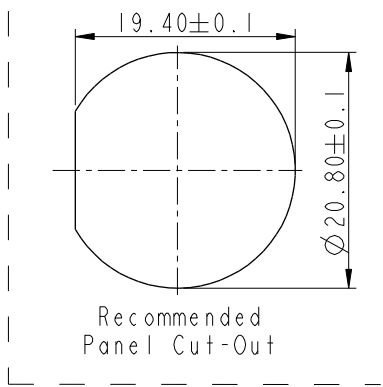
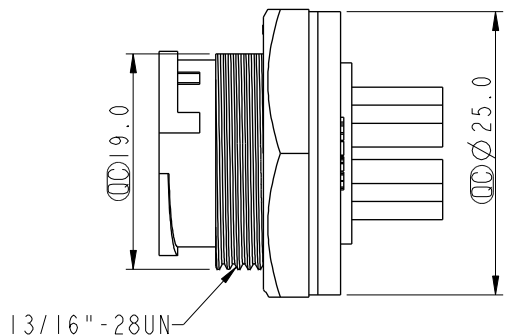


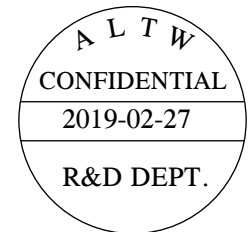
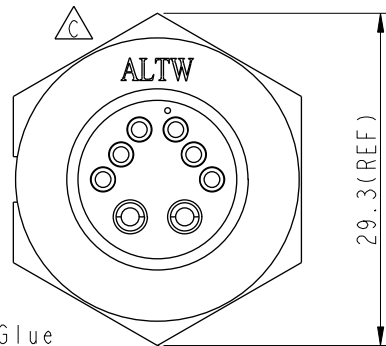
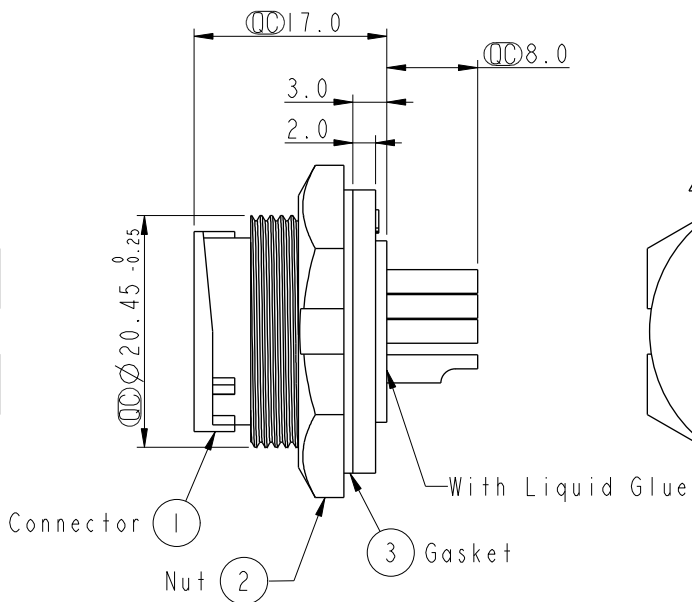
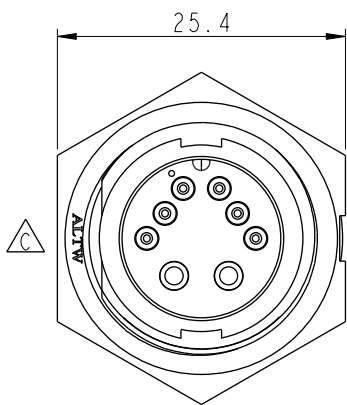
REV.	ECN NO.	DATE	SIGN	DESCRIPTION
B	LEN-8B0051	2008/09/25	Shin	Add Note.
C	LEN1630526	2016/03/17	Ruru	Change Logo
D	CI90271	2019/02/27	Ruru	Modify Note



Pin Assignments
Front View



Recommended
Panel Cut-Out



- Note: \triangle
- * CC Important Dimension.
 - * Waterproof Rate: IP67, Unmated
 - * Housing: Thermoplastic, Black
 - * Pin: Copper Alloy, Gold Plated(10A)
 - * Pin: Copper Alloy, Gold Plated(5A)
 - * Nut: Thermoplastic, Black
 - * Gasket: Rubber, Black
 - * Liquid Glue: Clear.
 - $\triangle B$ * Use with waterproof cap or dust cap
Panel Thickness Max: 3.0mm
 - $\triangle B$ * Use without waterproof cap or dust cap
Panel Thickness Max: 4.0mm
 - * Gasket and Nut are packed separately in PE bags.

UNIT: mm	CC	CC
TOLERANCE		
.X	± 0.25	
.XX	± 0.1	
.XXX	± 0.05	
ANGLES	$\pm 1^\circ$	

TITLE Middle, Panel Lock 8Pin M Conn M Pin			
SCALE 1:1	SIZE A4	SHEET 1 OF 1	
REV. D	WC-REV. A.3	CC : Inspection item	

Amphenol LTW
安費諾亮泰企業股份有限公司

ITEM NO. CBD-08PMMS-LC7001	DRAWN BY Ruru	DATE 2019-02-27
DWG NO. CBD-08PMMS-LC7001	CHECKED BY Rita	DATE 2019-02-27
CUSTOMER ALTW	APPROVED BY Max	DATE 2019-02-27

THIS DOCUMENT IS SUBJECT TO CHANGE WITHOUT NOTICE. IT IS CONFIDENTIAL AND A PROPERTY OF Amphenol LTW. DISCLOSURE TO THIRD PARTY HAS TO BE AUTHORIZED BY Amphenol LTW.