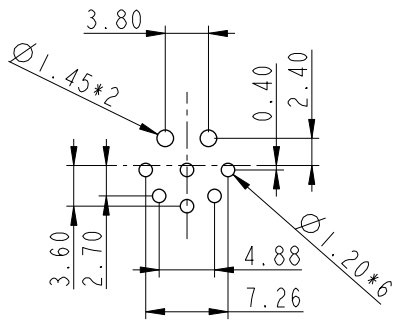
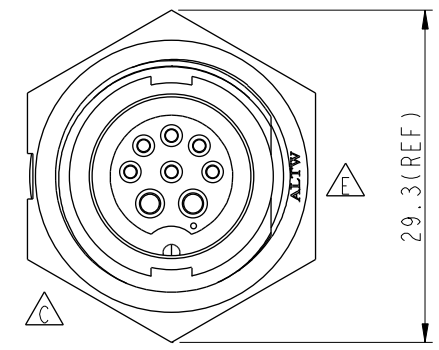
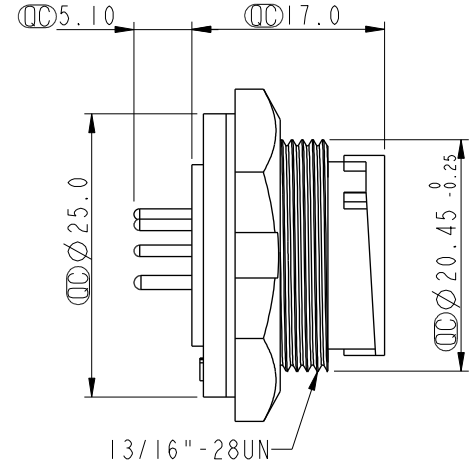
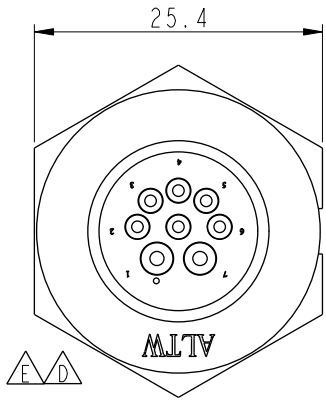
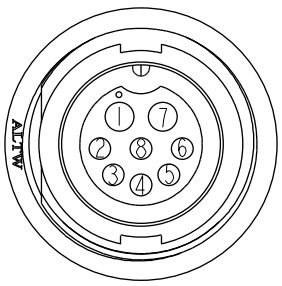


REV.	ECN NO.	DATE	SIGN	DESCRIPTION
D	LEN1120492	2011/02/12	Jiang Jun Hua	Change the view
E	LEN1630523	2016/03/17	Ruru	Change Logo
F	CI90271	2019/02/26	Ruru	Modify Note

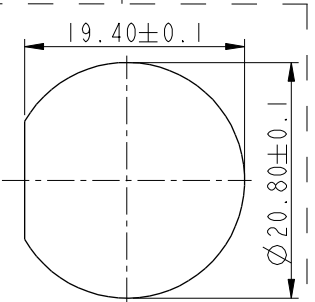
ALTW
CONFIDENTIAL
 2019-02-26
R&D DEPT.



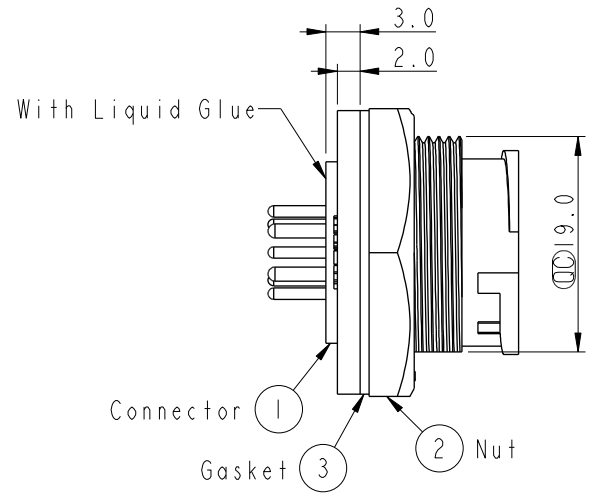
8Pin Male Connector
Female Pin PCB Layout



Pin Assignments
Front View



Recommended
Panel Cut-Out



- Note:
- * Important Dimension.
 - * Waterproof Rate: IP67, Unmated
 - * Housing: Thermoplastic, Black
 - * Pin: Copper Alloy, Gold Plated
 - * Nut: Thermoplastic, Black
 - * Gasket: Rubber, Black
 - * Use with waterproof cap or dust cap
Panel Thickness Max: 3.0mm
 - * Use without waterproof cap or dust cap
Panel Thickness Max: 4.0mm
 - * Gasket and Nut are packed separately in PE bags.

UNIT:mm		
TOLERANCE	.X ±0.25	.XX ±0.1
.XXX ±0.05		
ANGLES	±1°	

TITLE Middle, Panel Lock 8Pin M Conn F Pin			
SCALE 1:1	SIZE A4	SHEET 1 OF 1	
REV. F	WC-REV. A.3	Inspection item	

Amphenol LTW
安費諾亮泰企業股份有限公司

ITEM NO CBD-08PMFP-LC7001	DRAWN BY Ruru	DATE 2019-02-26
DWG NO CBD-08PMFP-LC7001	CHECKED BY Rita	DATE 2019-02-26
CUSTOMER ALTW	APPROVED BY Max	DATE 2019-02-26

THIS DOCUMENT IS SUBJECT TO CHANGE WITHOUT NOTICE. IT IS CONFIDENTIAL AND A PROPERTY OF AMPHENOL LTW. DISCLOSURE TO THIRD PARTY HAS TO BE AUTHORIZED BY AMPHENOL LTW.