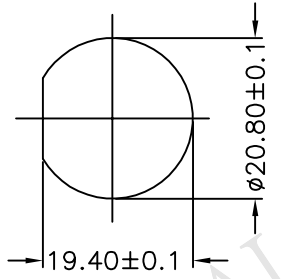
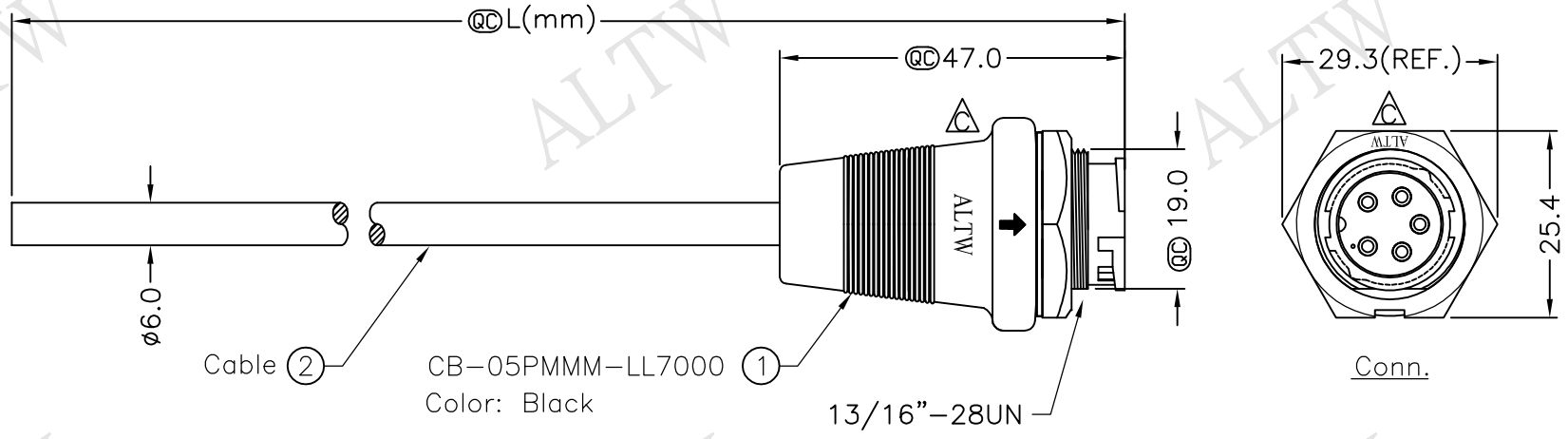
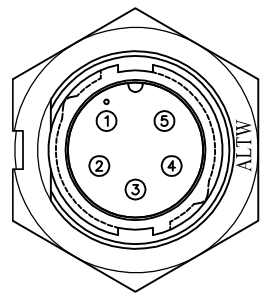
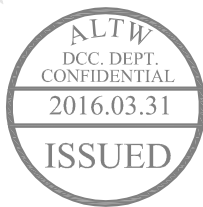


REV.	ECN NO.	DATE	SIGN	DESCRIPTION
B	LEN-8B0038~41	2008/09/25	Shin	Add Note
C	LEN1630517~20	2016/03/17	Ruru	Change Logo & Note



Recommended Panel Cut-Out



Pin Assignments Front View

5	Green	綠
4	White	白
3	Black	黑
2	Blue	藍
1	Brown	棕
Conn.	Wire Color	Pin Out

CB-05PMMM-LL7AXX

↑
 XX:01~99Meter
 01:01Meter
 02:02Meters
 ∴
 99:99Meters

Cable Length(L):01~99Meters

Note:

- * @C Important Dimension To Check.
- * Waterproof Rate: IP67
- * Housing: Nylon+GF,Black
- * Pin: Copper Alloy,Gold Plated
- * Cable: UL2464 20AWG*5C+D+AL/My Black,PVC Jacket UV Resistant, OD=6.0
- △* Use with waterproof cap or dust cap
Panel Thickness Max: 2.0mm
- △* Use without waterproof cap or dust cap
Panel Thickness Max: 3.0mm
- △* Cable Length Tolerance: 01M: ±40mm
02M~05M: ±60mm
06M~10M: ±100mm
11M~30M: ±200mm
31M~99M: ±500mm

UNIT:mm		TITLE
TOLERANCE	±0.5 mm	Middle, Cable Lock 5 Pin M Conn. M Pin
SCALE	Free	SHEET 1 OF 1
REV. C	SIZE A4	QC : Inspection Item

Amphenol LTW
 安費諾亮泰企業股份有限公司

ITEM NO	DRAWN BY	DATE
DWG NO	CHECKED BY	DATE
CUSTOMER	APPROVED BY	DATE
	Ruru	2016/03/17
CB-05PMMM-LL7AXX	Rita	2016/03/17
ALTW	Lisa	2016/03/17

THIS DOCUMENT IS SUBJECT TO CHANGE WITHOUT NOTICE. IT IS CONFIDENTIAL AND A PROPERTY OF AMPHENOL LTW. DISCLOSURE TO THIRD PARTY HAS TO BE AUTHORIZED BY AMPHENOL LTW.