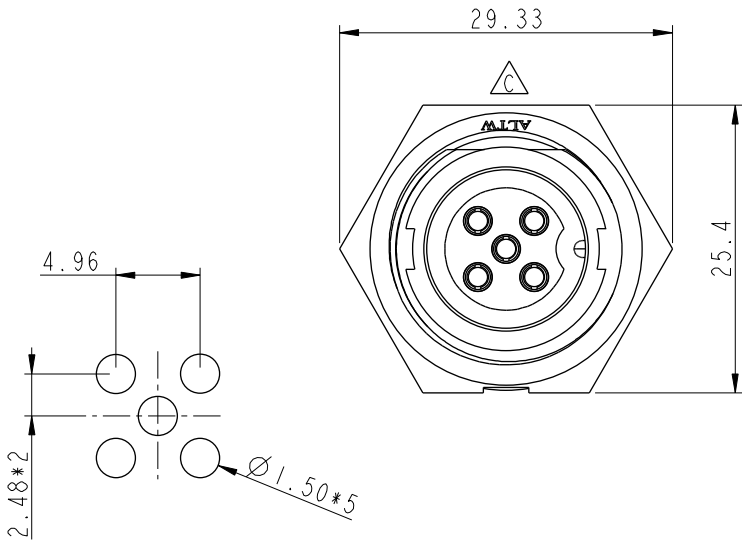
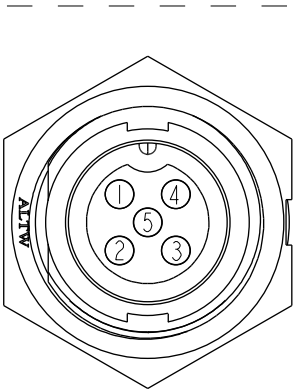
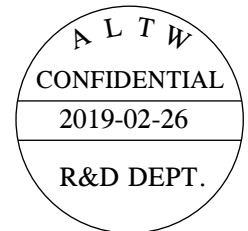
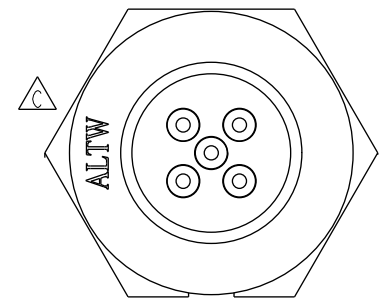
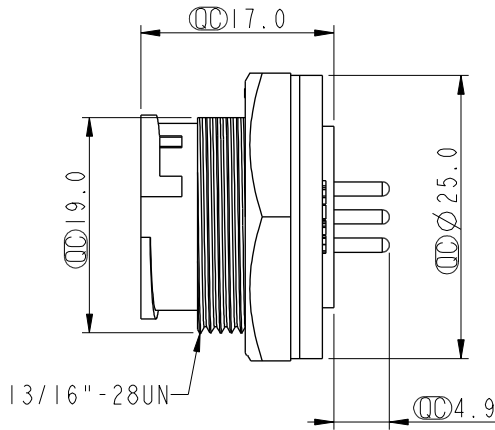


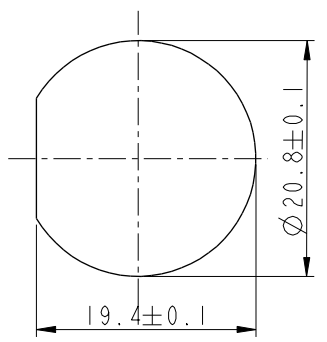
REV.	ECN NO.	DATE	SIGN	DESCRIPTION
B	LEN-8B0165	2008/09/25	Shin	Add Note
C	LEN1630483	2016/03/15	Ruru	Change Logo
D	CI90269	2019/02/26	Ruru	Modify Note



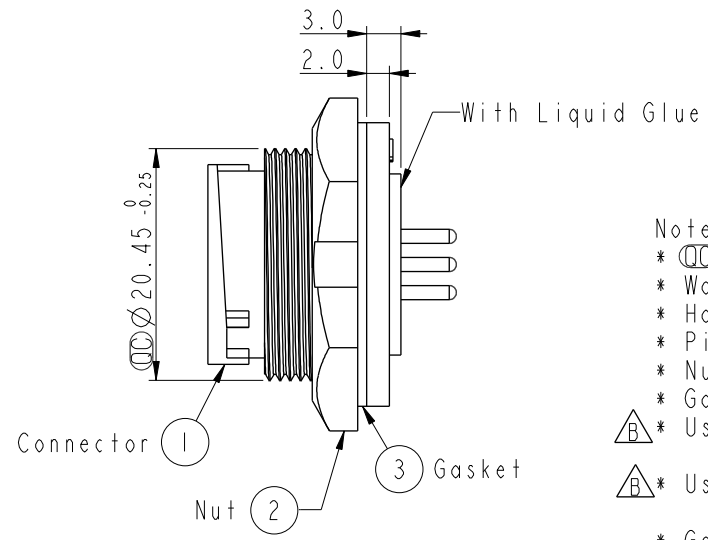
5Pin Male Connector
Female Pin PCB Layout



Pin Assignments
Front View



Recommender Panel Cut-Out



- Note: \triangle
- * CC Important Dimension To Check.
 - * Waterproof Rate: IP67, Unmated
 - * Housing: Thermoplastic, Black
 - * Pin: Copper Alloy, Gold Plated
 - * Nut: Thermoplastic, Black
 - * Gasket: Rubber, Black
 - $\triangle B$ * Use with waterproof cap or dust cap
Panel Thickness Max: 3.0mm
 - $\triangle B$ * Use without waterproof cap or dust cap
Panel Thickness Max: 4.0mm
 - * Gasket and Nut are packed separately in PE bags.

UNIT: mm	TITLE MIDDLE PANEL LOCK 5PIN M CONN F PIN			Amphenol LTW 安費諾亮泰企業股份有限公司	ITEM NO	DRAWN BY	DATE		
	TOLERANCE .X ±0.25 .XX ±0.1 .XXX ±0.05 ANGLES ±1°	SCALE	SIZE		SHEET	OF	CB-05PMFP-LC7001	Ruru	2019-02-26
		REV.	WC-REV.		CC : Inspection item		DWG NO	CHECKED BY	DATE
		D	A.3				CB-05PMFP-LC7001	Rita	2019-02-26
				CUSTOMER	APPROVED BY	DATE			
				ALTW	Max	2019-02-26			

THIS DOCUMENT IS SUBJECT TO CHANGE WITHOUT NOTICE. IT IS CONFIDENTIAL AND A PROPERTY OF AMPHENOL LTW. DISCLOSURE TO THIRD PARTY HAS TO BE AUTHORIZED BY AMPHENOL LTW.