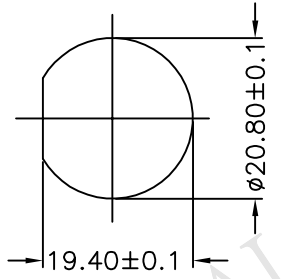
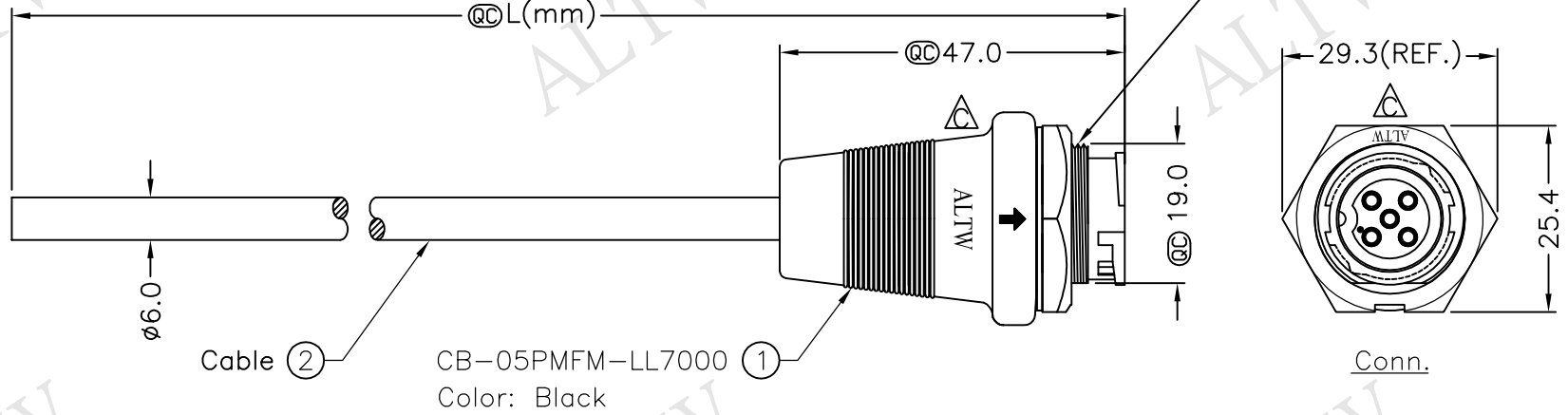
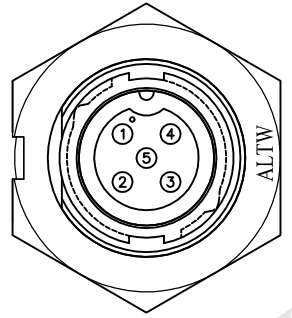


REV.	ECN NO.	DATE	SIGN	DESCRIPTION
B	LEN-8B0161~164	2008/09/25	Shin	Add Note
C	LEN1630485~488	2016/03/15	Ruru	Change Logo & Note



Recommended Panel Cut-Out



Pin Assignments Front View



5	Green	綠
4	White	白
3	Black	黑
2	Blue	藍
1	Brown	棕
Conn.	Wire Color	Pin Out

CB-05PMFM-LL7AXX  
 XX:01~99Meter  
 01:01Meter  
 02:02Meters  
 :  
 :  
 99:99Meters  
 Cable Length(L):01~99Meters

- Note:
- \* @C Important Dimension To Check.
  - \* Waterproof Rate: IP67
  - \* Housing: Nylon+GF, Black
  - \* Pin: Copper Alloy, Gold Plated
  - \* Cable: UL2464 20AWG\*5C+D+AL/My, PVC Jacket UV Resistant, OD=6.0, Black
  - △\* Use with waterproof cap or dust cap  
Panel Thickness Max: 2.0mm
  - △\* Use without waterproof cap or dust cap  
Panel Thickness Max: 3.0mm
  - △\* Cable Length Tolerance: 01M: ±40mm  
02M~05M: ±60mm  
06M~10M: ±100mm  
11M~30M: ±200mm  
31M~99M: ±500mm

UNIT:mm		TITLE
±0.5 mm		Middle, Cable Lock 5 Pin M Conn. F Pin
SCALE	Free	SHEET 1 OF 1
REV. C	SIZE A4	@C : Inspection Item

**Amphenol LTW**  
 安費諾亮泰企業股份有限公司

ITEM NO	DRAWN BY	DATE
	Ruru	2016/03/15
DWG NO	CHECKED BY	DATE
CB-05PMFM-LL7AXX	Rita	2016/03/15
CUSTOMER	APPROVED BY	DATE
ALTW	Lisa	2016/03/15

THIS DOCUMENT IS SUBJECT TO CHANGE WITHOUT NOTICE. IT IS CONFIDENTIAL AND A PROPERTY OF Amphenol LTW. DISCLOSURE TO THIRD PARTY HAS TO BE AUTHORIZED BY Amphenol LTW.