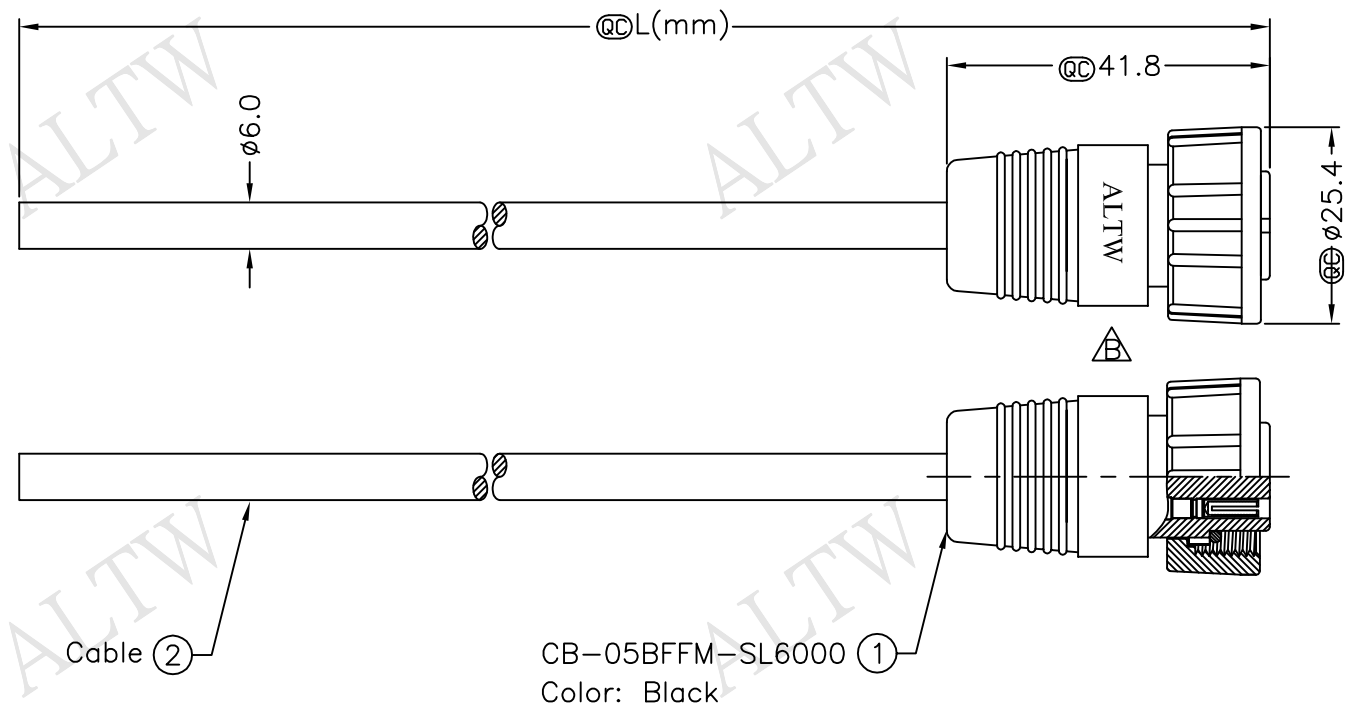
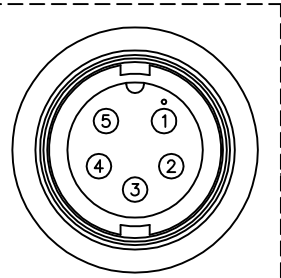


REV.	ECN NO.	DATE	SIGN	DESCRIPTION
B	LEN1650096~099	2016/05/04	Ruru	Change Logo & Note

THIS DOCUMENT IS SUBJECT TO CHANGE WITHOUT NOTICE. IT IS CONFIDENTIAL AND A PROPERTY OF Amphenol LTW. DISCLOSURE TO THIRD PARTY HAS TO BE AUTHORIZED BY Amphenol LTW.



F
F
D
C
B
A



Pin Assignments
Front View

5	Green
4	White
3	Black
2	Blue
1	Brown
Conn.	Wire Color
Pin Out	

CB-05BFFM-SL6000 ①
Color: Black

CB-05BFFM-SL6AXX

XX :01~99Meters
01 :01Meter
02 :02Meters
:
:
99 :99Meters

Cable Length(L):01~99Meters

Note:

- * @C Important Dimensions To Check.
- * Waterproof Rate: IP66
- * Housing: Nylon+GF, Black
- * Female Pin: Copper Alloy, Gold Plated
- * Cable: UL2464 20#*5C+D+Al/My Black, PVC Jacket UV Resistant, OD=6.0
- * Cable Length Tolerance: 01M: ±40mm
02M~05M: ±60mm
06M~10M: ±100mm
11M~30M: ±200mm
31M~99M: ±500mm

UNIT:mm	
TOLERANCE ±0.5 mm	

TITLE Middle, Cable Screw 5Pin F Conn F Pin	
SCALE Free	SHEET 1 OF 1
REV. B	SIZE A4
QC :Inspection Item	

Amphenol LTW
安費諾亮泰企業股份有限公司

ITEM NO	DWG NO CB-05BFFM-SL6AXX
CUSTOMER ALTW	

DRAWN BY Ruru	CHECKED BY Rita
APPROVED BY Lisa	

DATE 2016/05/04
DATE 2016/05/04
DATE 2016/05/04