

THIS DOCUMENT IS SUBJECT TO CHANGE WITHOUT NOTICE. IT IS CONFIDENTIAL AND A PROPERTY OF Amphenol LTW. DISCLOSURE TO THIRD PARTY HAS TO BE AUTHORIZED BY Amphenol LTW.

REV.	ECN NO.	DATE	SIGN	DESCRIPTION

ALTW

ALTW

ALTW

ALTW

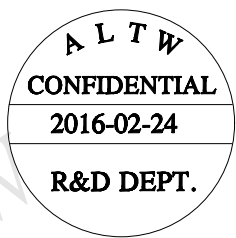
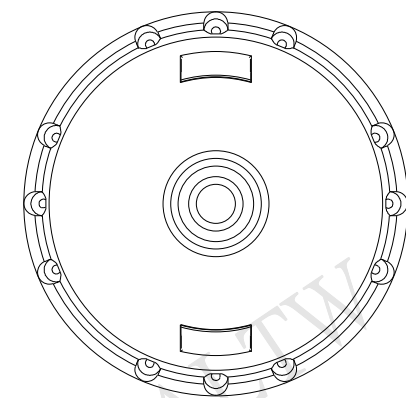
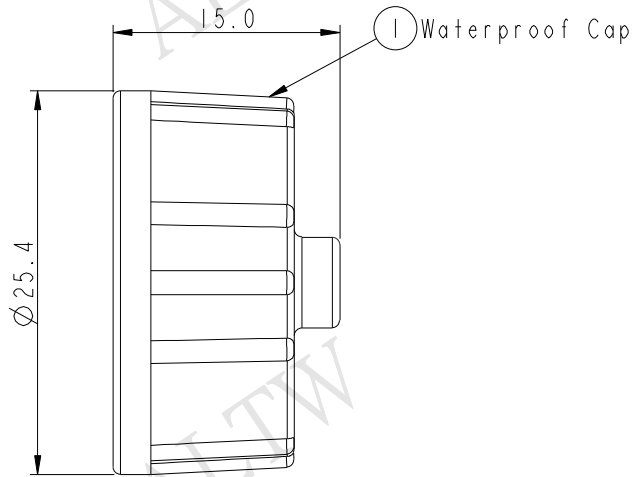
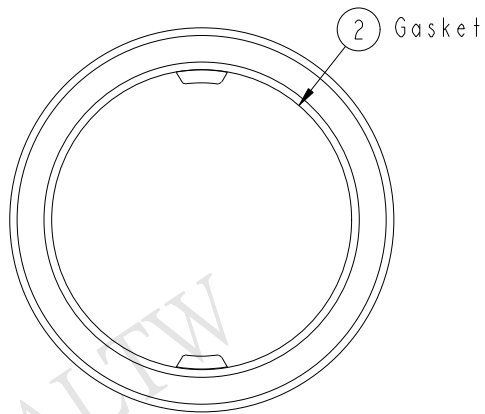
ALTW

ALTW

ALTW

ALTW

ALTW



Note:  
 \*  $\text{Ⓞ}$  Important Dimension.  
 \* Waterproof Rate: IP67  
 \* Cap: M-PPPE, Black  
 \* Gasket: Silicone. Black

UNIT: mm		TITLE Waterproof Cap, Between C&D Size			ITEM NO CAP-WCCMLMAI		DRAWN BY Feng_Li		DATE 2016-02-24			
		SCALE 2:1			SIZE A4		DWG NO CAP-WCCMLMAI		CHECKED BY Cary		DATE 2016-02-24	
		REV. A			WC-REV. A.1		CUSTOMER ALTW		APPROVED BY Jerry		DATE 2016-02-24	
TOLERANCE .X ±0.25 .XX ±0.1 .XXX ±0.05 ANGLES ±1°			SHEET 1 OF 1 Ⓞ: Inspection item			<b>Amphenol LTW</b> 安費諾亮泰企業股份有限公司				8 FMW10702-01-02A1		