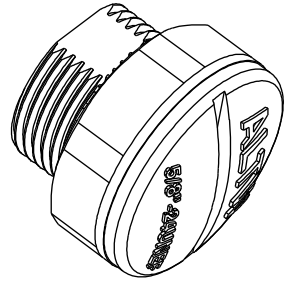
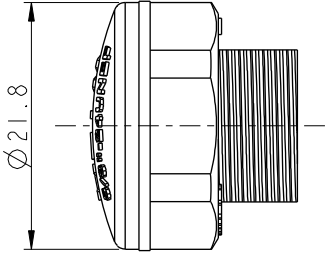
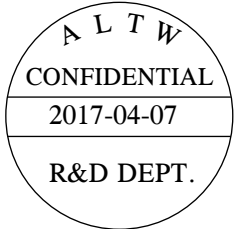
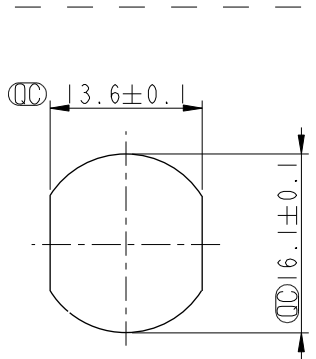
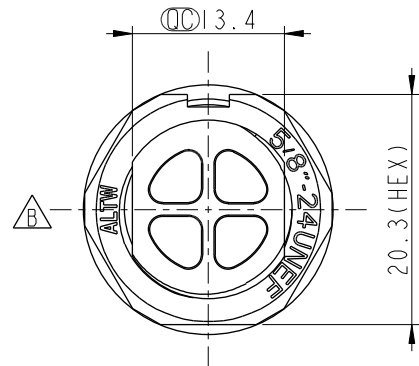
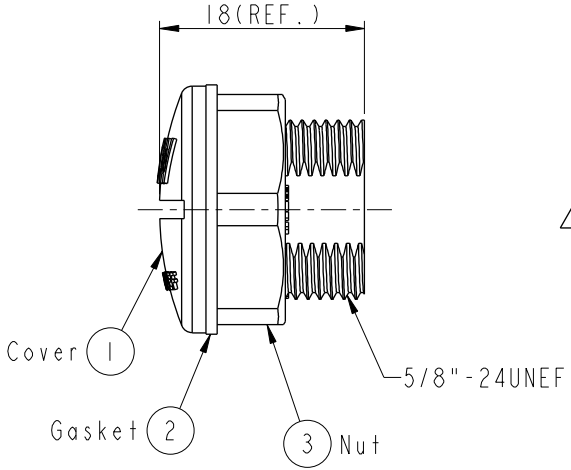
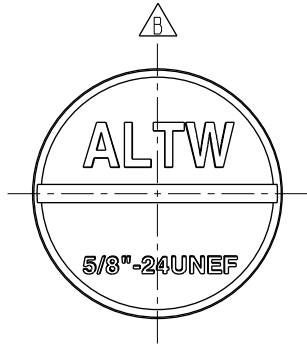


REV.	ECN NO.	DATE	SIGN	DESCRIPTION
A	Initial Release	2013/07/08	Vicky	Old Item No. CAP-CAGPFSAI
B	LEN1740431	2017/04/07	Vicky	Update Logo



Note:  
 \*  $\varnothing$  Important Dimension  
 \* Base: Nylon+GF, UV Resistant, Black  
 \* Gasket: EPDM, Black  
 \* Nut: Nylon+GF, Black  
 \* Maximum Panel Thickness: 8.0mm

UNIT:mm TOLERANCE $\pm 0.5$ mm	TITLE Panel Cover for RF Conn.(N-Type)		Amphenol LTW 安費諾亮泰企業股份有限公司		ITEM NO. CAP-CAGFSBAI	DRAWN BY DEL_Vicky	DATE 2013-07-09
	SCALE 3:2	SIZE A4	SHEET 1	OF 1	DWG NO. CAP-CAGFSBAI	CHECKED BY Rita	DATE 2013-07-08
	REV. B	WC-REV. A.2	$\varnothing$ : Inspection item		CUSTOMER ALTW	APPROVED BY Maslow	DATE 2013-07-08

THIS DOCUMENT IS SUBJECT TO CHANGE WITHOUT NOTICE. IT IS CONFIDENTIAL AND A PROPERTY OF Amphenol LTW. DISCLOSURE TO THIRD PARTY HAS TO BE AUTHORIZED BY Amphenol LTW.