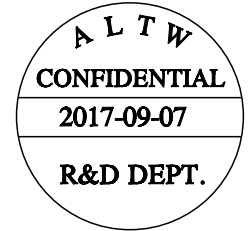
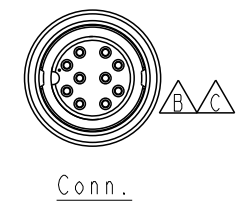
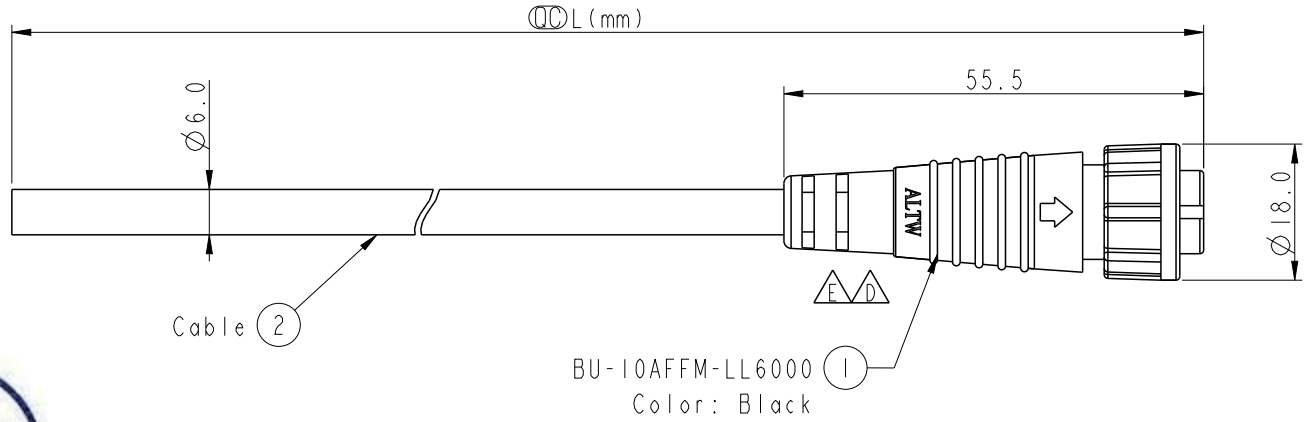


THIS DOCUMENT IS SUBJECT TO CHANGE WITHOUT NOTICE. IT IS CONFIDENTIAL AND A PROPERTY OF AMPHENOL LTW. DISCLOSURE TO THIRD PARTY HAS TO BE AUTHORIZED BY AMPHENOL LTW.

REV.	ECN NO.	DATE	SIGN	DESCRIPTION
D	LEN15C0390-393	2015/12/10	Ruru	Change Logo
E	LEN1650768-771	2016/05/25	Ruru	Modify the SR
F	LEN1790127-130	2017/09/07	Brady	Change Note

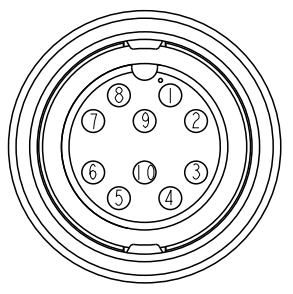


BU-10AFFM-LL6000
Color: Black

BU-10AFFM-LL6AXX

XX : 01~99Meters
 01 : 01Meter
 02 : 02Meters
 :
 :
 99 : 99Meters

Cable Length(L): 01~99Meters



Pin Assignments
Front View

Orange	橙	10
Black	黑	9
Red	紅	8
Pink	粉紅	7
Gray	灰	6
Yellow	黃	5
Green	綠	4
White	白	3
Blue	藍	2
Brown	棕	1
Wire Color	Conn.	
Pin Out		

Note:

- * \varnothing Important Dimension To Check.
- * Waterproof Rate: IP66
- * Housing: Nylon+GF, Black.
- * Female Pin: Copper Alloy, Gold Plated.
- * Cable: UL2464 26#*10C+D+A, OD6.0, BK
PVC Jacket UV Resistant, OD=6.0, Black.
- * Cable Length Tolerance: 01M: ±40mm
02M~05M: ±60mm
06M~10M: ±100mm
11M~30M: ±200mm
31M~99M: ±500mm

UNIT:mm
TOLERANCE ±0.5

TITLE			
Standard Cable Lock 10Pin F Conn. F Pin			
SCALE	SIZE	SHEET OF	
1:1	A4	1 OF 1	
REV.	WC-REV.	\varnothing : Inspection item	
F	A.3		

Amphenol LTW

安費諾亮泰企業股份有限公司

ITEM NO.	DWG NO.	CUSTOMER	DRAWN BY	CHECKED BY	APPROVED BY	DATE
	BU-10AFFM-LL6AXX	ALTW	Brady	Lodess	Max	2017-09-07