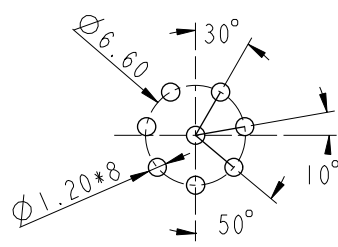


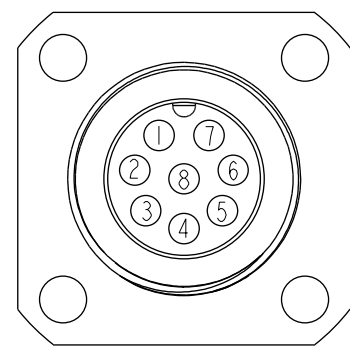
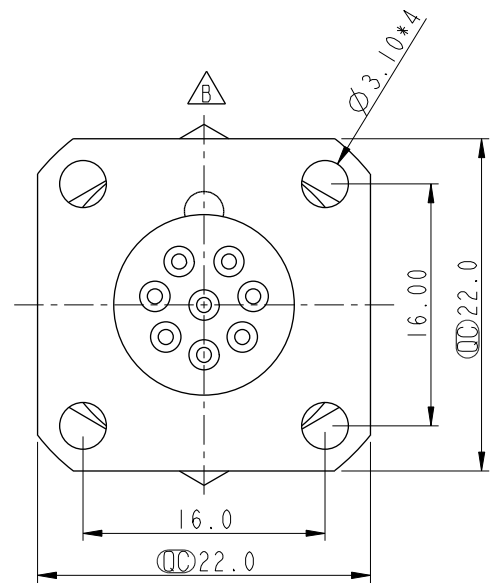
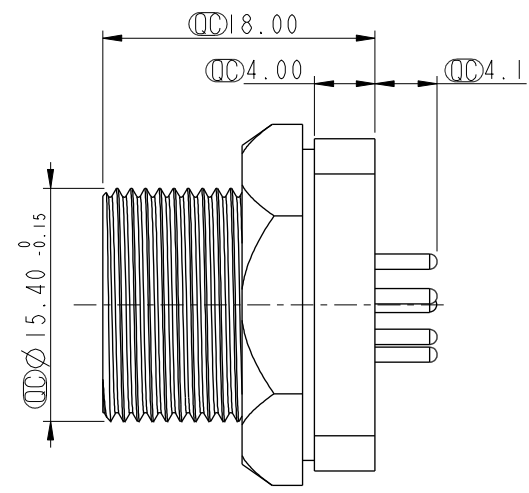
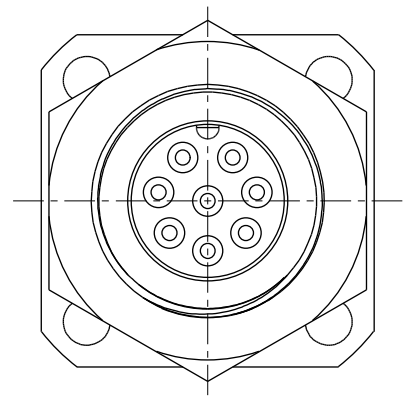
THIS DOCUMENT IS SUBJECT TO CHANGE WITHOUT NOTICE. IT IS CONFIDENTIAL AND A PROPERTY OF AMPHENOL LTW. DISCLOSURE TO THIRD PARTY HAS TO BE AUTHORIZED BY AMPHENOL LTW.

REV.	ECN NO.	DATE	SIGN	DESCRIPTION
B	LEN1390024	2013/08/28	SAM	Change View
C	CI90269	2019/03/06	Ruru	Modify Note

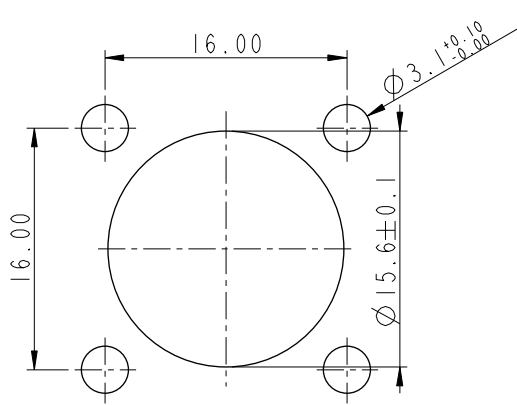
ALTW
CONFIDENTIAL
 2019-03-06
R&D DEPT.



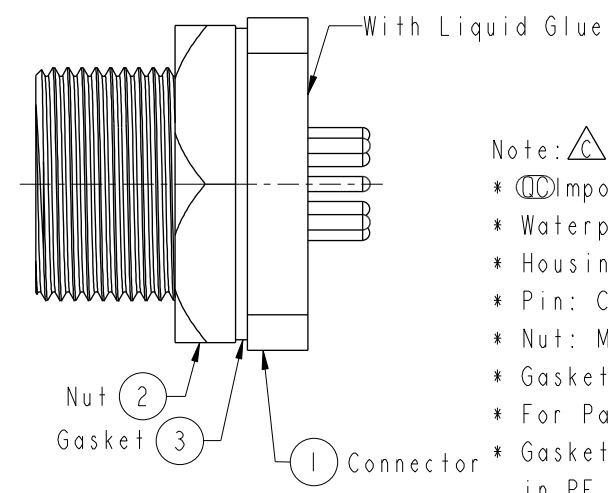
8 Pin Male Connector
Male Pin PCB Layout



Pin Assignments
Front View



Recommended Panel Cut-Out



- Note: $\triangle C$
- * CC Important Dimension To Check.
 - * Waterproof Rate: IP67, Unmated
 - * Housing: Metal, Nickel Plated
 - * Pin: Copper Alloy, Gold Plated
 - * Nut: Metal, Nickel Plated
 - * Gasket: Rubber, Black
 - * For Panel Thickness Max Of 4.4mm.
 - * Gasket and Nut are packed separately in PE bags.

UNIT:mm		
TOLERANCE	.X ±0.25	
	.XX ±0.1	
	.XXX ±0.05	
ANGLES	±1°	

TITLE Standard Shielded Panel Screw 8Pin M Conn M Pin			
SCALE 2:1	SIZE A4	SHEET 1 OF 1	
REV. C	WC-REV. B.2	CC : Inspection item	

Amphenol LTW
安費諾亮泰企業股份有限公司

ITEM NO BSD-08PMMP-SS7001	DRAWN BY Ruru	DATE 2019-03-06
DWG NO BSD-08PMMP-SS7001	CHECKED BY Rita	DATE 2019-03-06
CUSTOMER ALTW	APPROVED BY Max	DATE 2019-03-06