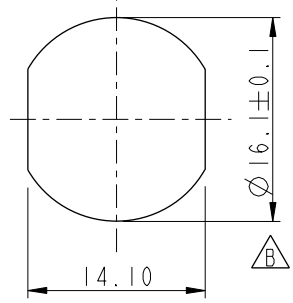
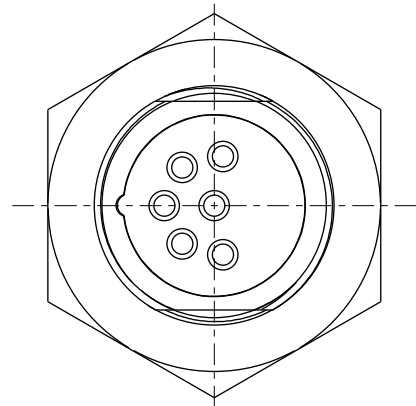
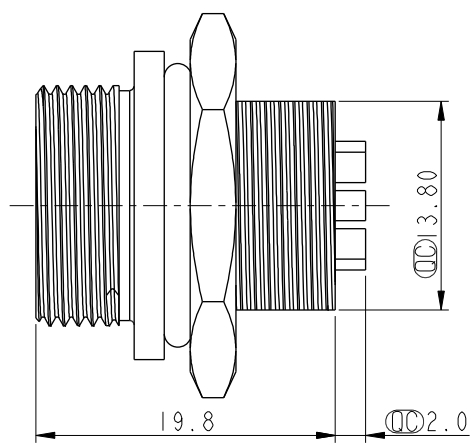
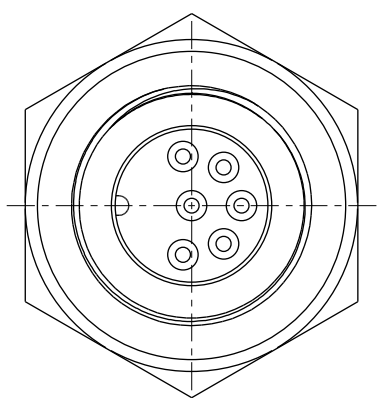


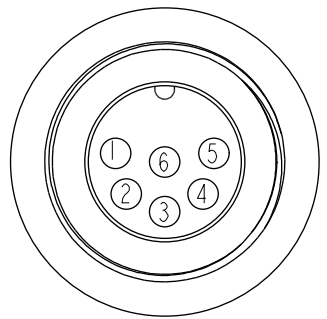
THIS DOCUMENT IS SUBJECT TO CHANGE WITHOUT NOTICE. IT IS CONFIDENTIAL AND A PROPERTY OF AMPHENOL LTW. DISCLOSURE TO THIRD PARTY HAS TO BE AUTHORIZED BY AMPHENOL LTW.

REV.	ECN NO.	DATE	SIGN	DESCRIPTION
B	LEN1830028	2018-03-01	Wen	Correct Panel Cut
C	CI90269	2019/03/06	Ruru	Modify Note

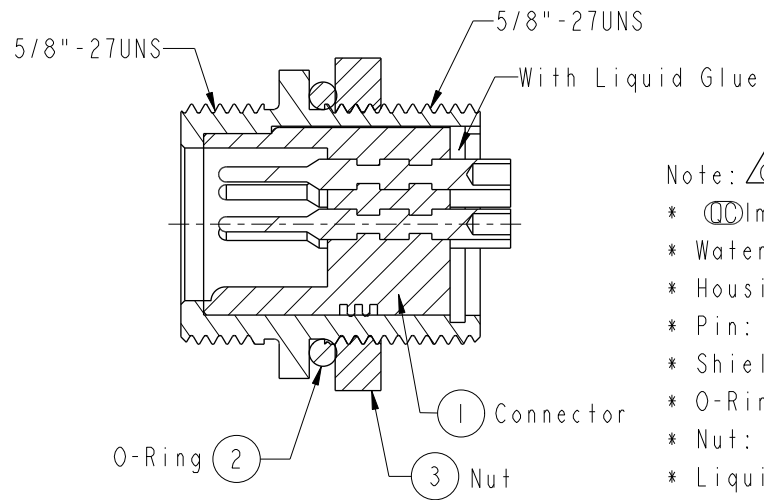
ALTW
CONFIDENTIAL
 2019-03-06
R&D DEPT.



Recommended Panel Cut-Out



Pin Assignments
FrontView 前視圖



- Note:
- * Important Dimension
 - * Waterproof Rate: IP67, Unmated
 - * Housing: Thermoplastic, Black
 - * Pin: Copper Alloy, Gold Plated
 - * Shielded: Metal, Nickel Plated
 - * O-Ring: Rubber, Black
 - * Nut: Metal, Nickel Plated
 - * Liquid Glue: Black
 - * For Panel Thickness Max 7.0mm
 - * Nut are packed separately in PE bags.

UNIT: mm	
TOLERANCE	
.X	±0.25
.XX	±0.1
.XXX	±0.05
ANGLES	±1°

TITLE Circular, Panel Screw 6Pin Male Connector Male Pin(5A)			
SCALE	SIZE	SHEET	OF
2:1	A4	1	1
REV.	WC-REV.	Inspection item	
C	A.2		

Amphenol LTW
安費諾亮泰企業股份有限公司

ITEM NO.	BSD-06RMMS-SC7001	DRAWN BY	Ruru	DATE	2019-03-06
DWG NO.	BSD-06RMMS-SC7001	CHECKED BY	Rita	DATE	2019-03-06
CUSTOMER	ALTW	APPROVED BY	Max	DATE	2019-03-06