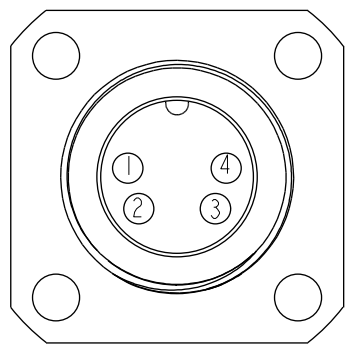
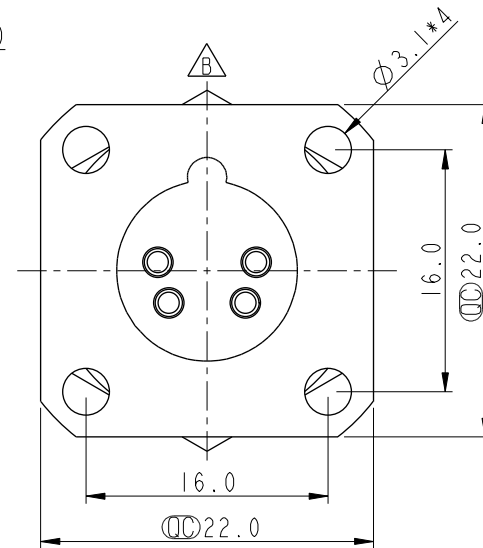
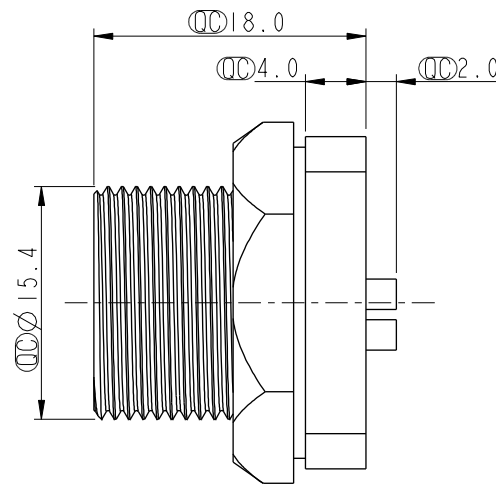
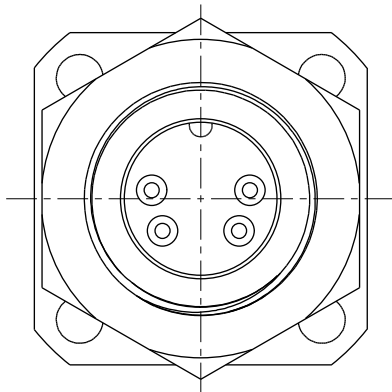
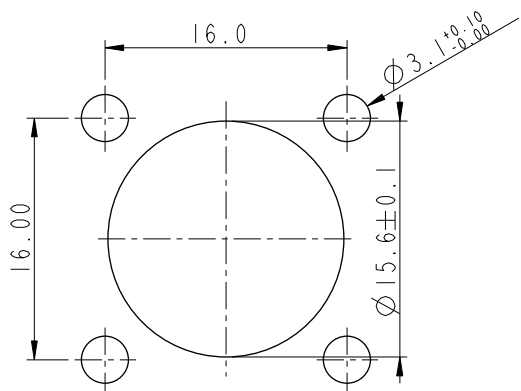


ALTW
 CONFIDENTIAL
 2019-03-06
 R&D DEPT.

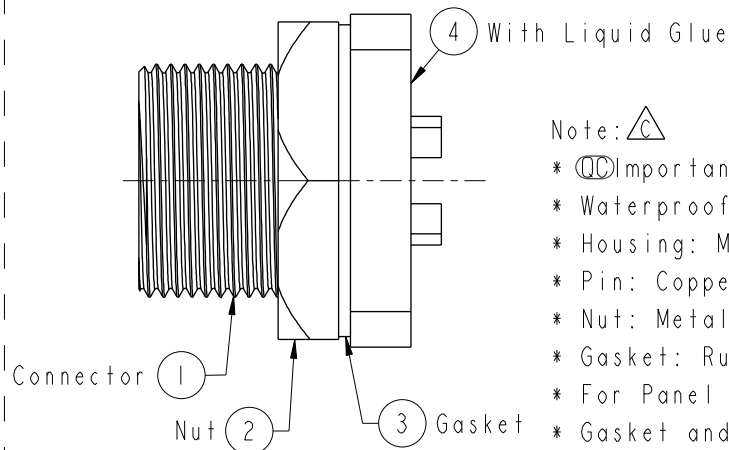
| REV. | ECN NO. | DATE | SIGN | DESCRIPTION |
|------|-----------|------------|-------|-------------|
| B | LEN120050 | 2012/08/24 | Lu Di | Change View |
| C | CI90269 | 2019/03/06 | Ruru | Modify Note |



Pin Assignments
 Front View



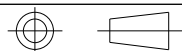
Recommended Panel Cut-Out



Note: $\triangle C$

- * CC Important Dimension To Check.
- * Waterproof Rate: IP67, Unmated
- * Housing: Metal, Nickel Plated
- * Pin: Copper Alloy, Gold Plated
- * Nut: Metal, Nickel Plated
- * Gasket: Rubber, Black
- * For Panel Thickness Max Of 4.4mm.
- * Gasket and Nut are packed separately in PE bags.

UNIT:mm



TOLERANCE
 .X ±0.25
 .XX ±0.1
 .XXX ±0.05
 ANGLES ±1°

| | | | |
|---|----------------|-------------------------------|--|
| TITLE Standard Shielded Panel Screw 4Pin M Conn M Pin | | | |
| SCALE 2:1 | SIZE A4 | SHEET 1 OF 1 | |
| REV. C | WC-REV. A.4 | CC : Inspection item | |

Amphenol LTW
 安費諾亮泰企業股份有限公司

| | | |
|------------------------------|--------------------|--------------------|
| ITEM NO BSD-04PMMS-SS7001 | DRAWN BY Ruru | DATE 2019-03-06 |
| DWG NO BSD-04PMMS-SS7001 | CHECKED BY Rita | DATE 2019-03-06 |
| CUSTOMER ALTW | APPROVED BY Max | DATE 2019-03-06 |

THIS DOCUMENT IS SUBJECT TO CHANGE WITHOUT NOTICE. IT IS CONFIDENTIAL AND A PROPERTY OF Amphenol LTW. DISCLOSURE TO THIRD PARTY HAS TO BE AUTHORIZED BY Amphenol LTW.