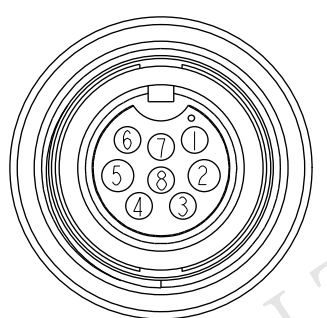
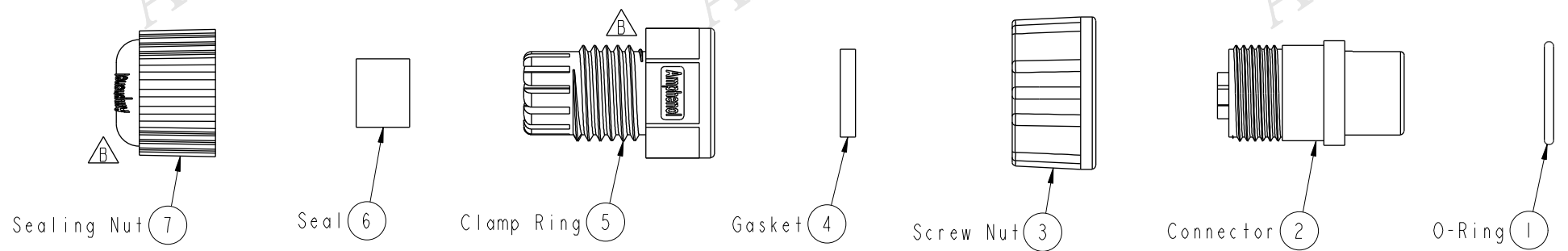
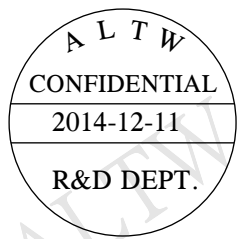
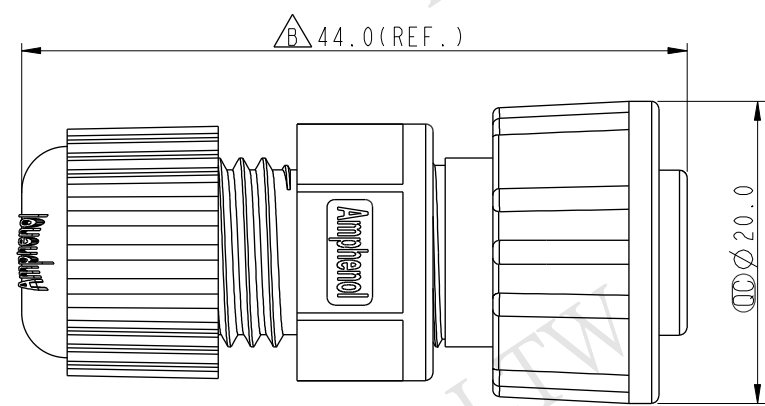


THIS DOCUMENT IS SUBJECT TO CHANGE WITHOUT NOTICE. IT IS CONFIDENTIAL AND A PROPERTY OF Amphenol LTW. DISCLOSURE TO THIRD PARTY HAS TO BE AUTHORIZED BY Amphenol LTW.

REV.	ECN NO.	DATE	SIGN	DESCRIPTION
B	LEN14C0418	2014/12/11	Vicky	Update Logo & Dimension



Pin Assignments  
Front View



Note:

- \*  $\text{CC}$  Important Dimension To Check.
- \* Waterproof Rate: IP67
- \* Housing: Nylon+GF, Black
- \* Male Pin: Copper Alloy, Gold Plated
- \* O-Ring: EPDM, Black
- \* Screw Nut: Nylon+GF, Black
- \* Gasket: EPDM, Black
- \* Clamp Ring: Nylon, Black
- \* Seal: EPDM, Black
- \* Sealing Nut: Nylon, Black
- \* Seal For Cable OD:  $\varnothing 4.5\text{mm} \sim \varnothing 6.5\text{mm}$   
(防水墊圈線徑:  $\varnothing 4.5\text{mm} \sim \varnothing 6.5\text{mm}$ )
- \* One Set Unassembled In One PE Bag  
(每一組未組裝, 放置於一個PE袋, 並封口)

UNIT:mm		
TOLERANCE	$\pm 0.25$	$\pm 0.1$
.X	$\pm 0.1$	$\pm 0.05$
.XX	$\pm 0.05$	$\pm 1^\circ$
.XXX	$\pm 0.05$	
ANGLES	$\pm 1^\circ$	

TITLE Standard Assy Screw 8Pin F Conn M Pin			
SCALE 5:4	SIZE A4	SHEET 1 OF 1	
REV. B	WC-REV. A.2	$\text{CC}$ : Inspection item	

**Amphenol LTW**  
安費諾亮泰企業股份有限公司

ITEM NO BDU-08BFMA-SL7001	DRAWN BY Vicky	DATE 2014-12-11
DWG NO BDU-08BFMA-SL7001	CHECKED BY Sam	DATE 2014-12-11
CUSTOMER ALTW	APPROVED BY Rita	DATE 2014-12-11