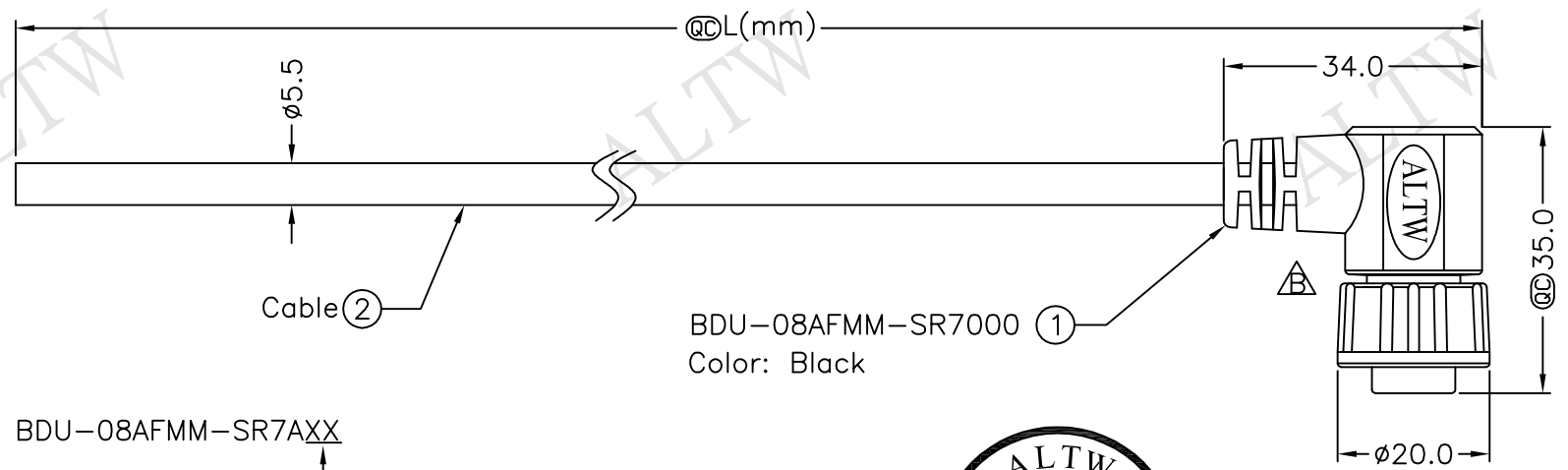
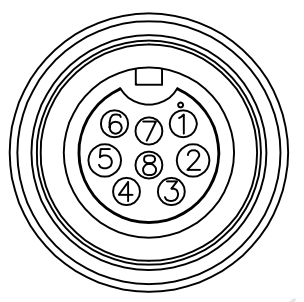
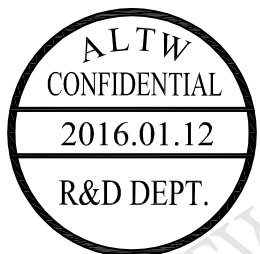
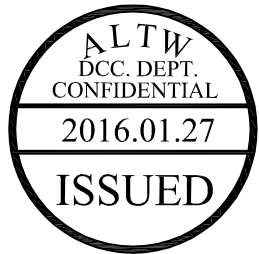


5	6	7	8
REV. B	ECN NO. LEN1610379~382	DATE 2016/01/12	SIGN Ruru
			DESCRIPTION Change Logo & Note



BDU-08AFMM-SR7AXX
 XX:01~99Meter
 01:01Meter
 02:02Meters
 ...
 99:99Meters
 Cable Length(L):01~99Meters



Pin Assignments
Front View

8	Red	(26AWG)
7	Pink	(26AWG)
6	Gray	(26AWG)
5	Blue	(24AWG)
4	Green	(26AWG)
3	White	(26AWG)
2	Brown	(24AWG)
1	Yellow	(26AWG)
Conn	Wire Color	Pin Out

- Note:
- * @C Important Dimension To Check.
 - * Waterproof Rate:IP67
 - * Housing: Nylon+GF,Black
 - * Pin: Copper Alloy,Gold Plated
 - * Cable: UL2464 (24AWG*2C+26AWG*6C)+Drain+Al/My Black PVC Jacket UV Resistant, OD=5.5mm
 - * Cable Length Tolerance: 01M: ±40mm
 02M~05M: ±60mm
 06M~10M: ±100mm
 11M~30M: ±200mm
 31M~99M: ±500mm

UNIT:mm	Standard		ITEM NO		DRAWN BY		DATE	
TOLERANCE	Cable Screw 8Pin F Conn M Pin		DWG NO		CHECKED BY		DATE	
±0.5 mm	SCALE Free SHEET 1 OF 1		BDU-08AFMM-SR7AXX		Rita		2016/01/12	
	REV. B	SIZE A4	CUSTOMER ALTW		APPROVED BY Lisa		DATE 2016/01/12	
		@C :Inspection Item	Amphenol LTW					
			安費諾亮泰企業股份有限公司					

THIS DOCUMENT IS SUBJECT TO CHANGE WITHOUT NOTICE. IT IS CONFIDENTIAL AND A PROPERTY OF Amphenol LTW. DISCLOSURE TO THIRD PARTY HAS TO BE AUTHORIZED BY Amphenol LTW.

A B C D E F