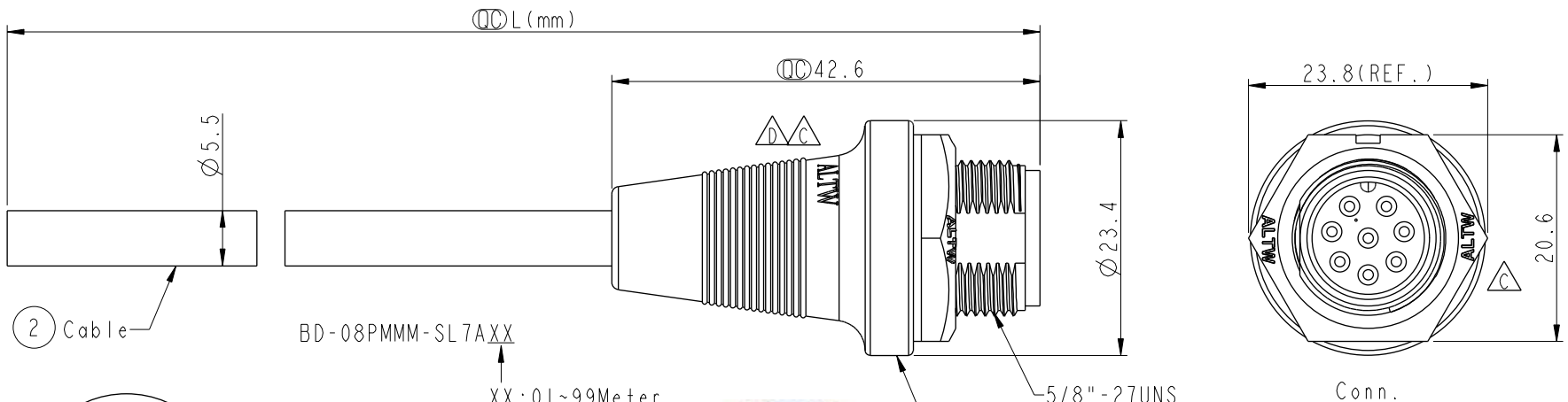


THIS DOCUMENT IS SUBJECT TO CHANGE WITHOUT NOTICE. IT IS CONFIDENTIAL AND A PROPERTY OF Amphenol LTW. DISCLOSURE TO THIRD PARTY HAS TO BE AUTHORIZED BY Amphenol LTW.

REV.	ECN NO.	DATE	SIGN	DESCRIPTION
B	LEN-8B0523-526	2008/09/19	Shin	Add Note
C	LEN15A0221-224	2015/10/01	Vicky	Update Logo & Note
D	LEN17A0028-031	2017/09/28	Ruru	Update View



ALTW
 CONFIDENTIAL
 2017-09-28
 R&D DEPT.

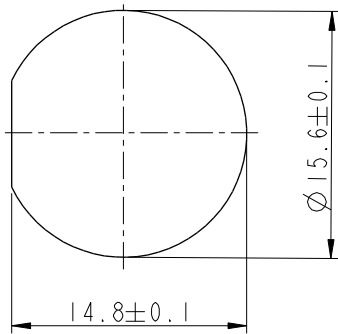
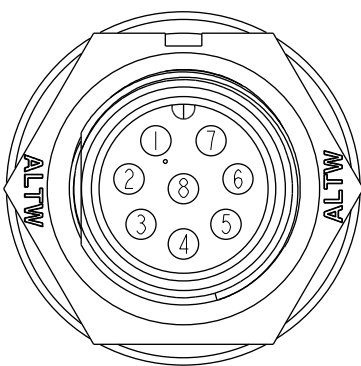
BD-08PMMM-SL7AXX
 XX: 01~99Meter
 01: 01Meter
 02: 02Meters
 :
 :
 99: 99Meters
 Cable Length(L): 01~99Meters

ALTW
 DCC. DEPT.
 CONFIDENTIAL
 2017.10.02
 ISSUED

Note:

- * \varnothing Important Dimensions To Check
- * Waterproof Rate: IP67
- * Housing: Nylon+GF, Black
- * Male Pin: Copper Alloy, Gold Plated
- * Cable: UL2464 24#*8C+D+AI/My,UV, PVC Jacket, Black, OD=5.5mm

$\triangle B$ * Use with waterproof cap or dust cap
 Panel Thickness Max: 2.5mm
 $\triangle B$ * Use without waterproof cap or dust cap
 Panel Thickness Max: 3.5mm
 $\triangle C$ * Cable Length Tolerance: 1M: ± 40 mm
 2M~5M: ± 60 mm
 6M~10M: ± 100 mm
 11M~30M: ± 200 mm
 31M~99M: ± 500 mm



8	Green	綠
7	Yellow	黃
6	Orange	橙
5	Red	紅
4	Blue	藍
3	White	白
2	Brown	棕
1	Black	黑
Conn.	Wire Color	
	Pin Out	

Pin Assignments
Front View

Recommended Panel Cut-Out

UNIT:mm		TOLERANCE		TITLE			ITEM NO		DRAWN BY		DATE	
±0.5 mm				Standard Cable Screw 8Pin M Conn M Pin			BD-08PMMM-SL7AXX		Ruru		2017-09-28	
				SCALE 3:2 SIZE A4 SHEET 1 OF 1			CUSTOMER ALTW		CHECKED BY Rita		DATE 2017-09-28	
				REV. D WC-REV. A.1 \varnothing : Inspection item					APPROVED BY Max		DATE 2017-09-28	

Amphenol LTW
 安費諾亮泰企業股份有限公司