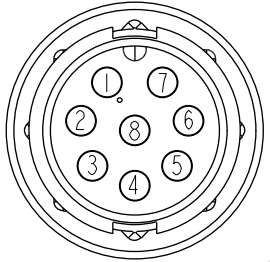
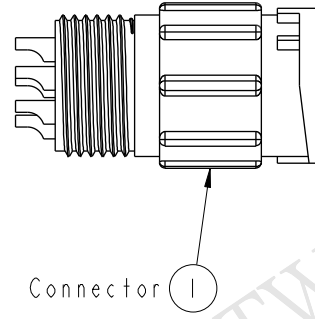
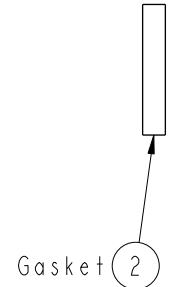
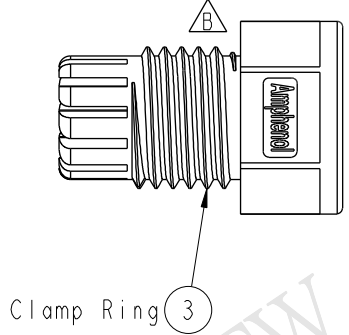
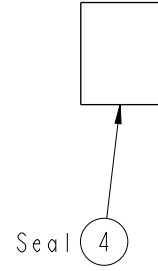
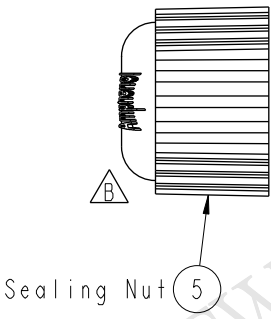


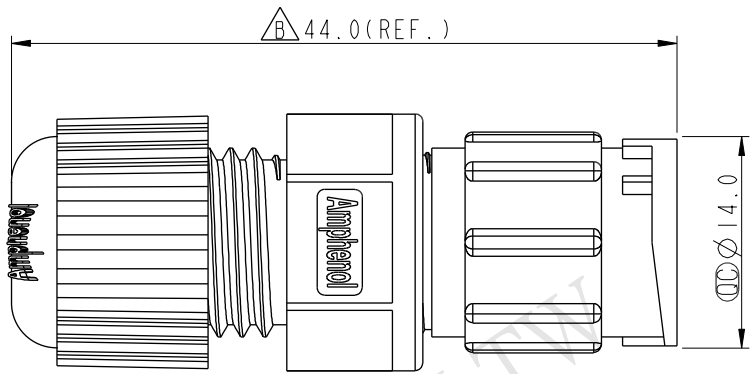
REV.	ECN NO.	DATE	SIGN	DESCRIPTION
B	LEN14C0052	2014/11/25	Vicky	Update Logo & Dimension

ALTW
CONFIDENTIAL
2014-11-25
R&D DEPT.

ALTW
DCC. DEPT.
CONFIDENTIAL
2014.12.03
ISSUED



Pin Assignments
Front View



- Note:
- * CC Important Dimension To Check.
 - * Waterproof Rate: IP67
 - * Housing: Nylon+GF, Black
 - * Male Pin: Copper Alloy, Gold Plated
 - * Gasket: EPDM, Black
 - * Clamp Ring: Nylon, Black
 - * Seal: EPDM, Black
 - * Sealing Nut: Nylon, Black
 - * Seal For Cable OD: $\varnothing 4.5\text{mm} \sim \varnothing 6.5\text{mm}$
(防水墊圈線徑: $\varnothing 4.5\text{mm} \sim \varnothing 6.5\text{mm}$)
 - * One Set Unassembled In One PE Bag
(每一組未組裝, 放置於一個PE袋, 並封口)

UNIT:mm		
TOLERANCE	.X ± 0.25	
	.XX ± 0.1	
	.XXX ± 0.05	
ANGLES	$\pm 1^\circ$	

TITLE Standard 8Pin M Conn. Assembly			
SCALE 3:2	SIZE A4	SHEET 1 OF 1	
REV. B	WC-REV. A.2	CC : Inspection item	

Amphenol LTW
安費諾亮泰企業股份有限公司

ITEM NO. BD-08BMMMA-LL7001	DRAWN BY Vicky	DATE 2014-11-25
DWG NO. BD-08BMMMA-LL7001	CHECKED BY Sam	DATE 2014-11-25
CUSTOMER ALTW	APPROVED BY Rita	DATE 2014-11-25

THIS DOCUMENT IS SUBJECT TO CHANGE WITHOUT NOTICE. IT IS CONFIDENTIAL AND A PROPERTY OF Amphenol LTW. DISCLOSURE TO THIRD PARTY HAS TO BE AUTHORIZED BY Amphenol LTW.