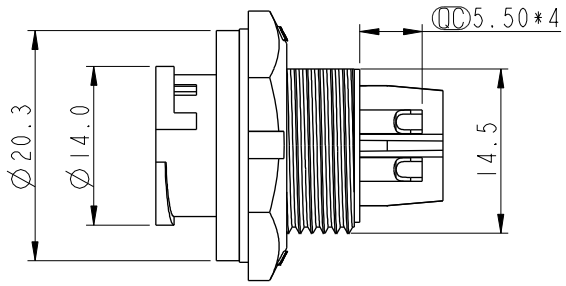
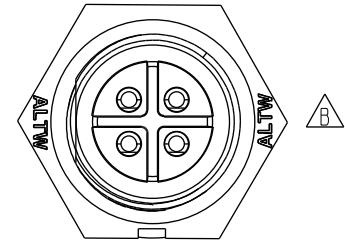
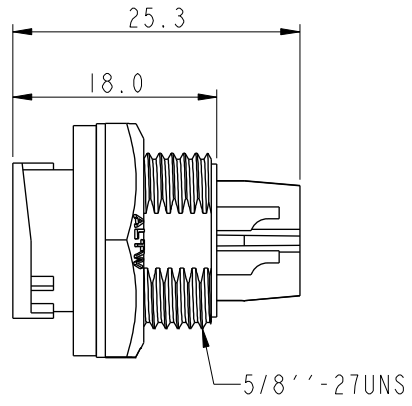
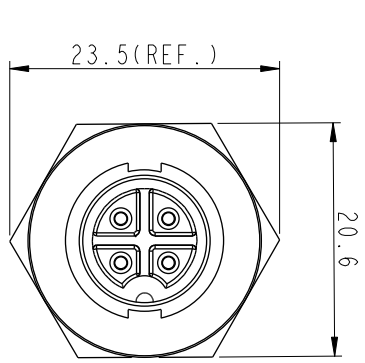
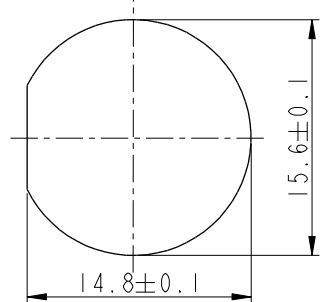
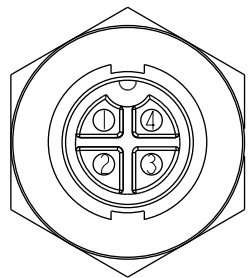
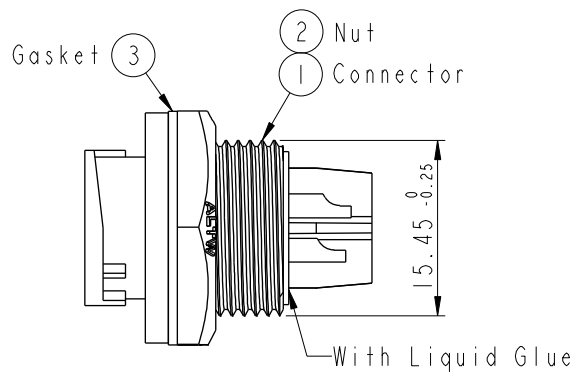


REV.	ECN NO.	DATE	SIGN	DESCRIPTION
A	Release	2013-06-28	Kevin Wang	
B	CI90315	2019/03/14	Ruru	Modify Note & Change Logo



Note:

- * Important Dimension
- * Waterproof Rate: IP67, Unmated
- * Housing: Thermoplastic, Black
- * Pin: Copper Alloy, Gold Plated
- * Nut: Thermoplastic, Black
- * Gasket: Rubber, Gray
- * Use with Waterproof Cap Or Dust Cap
Panel Thickness Max: 4.0mm
- * Use without Waterproof Cap Or Dust Cap
Panel Thickness Max: 5.0mm
- * Pin3 is deep then the other pins 0.5mm
- * Gasket and Nut are packed separately in PE bags.



Pin Assignments Front View Recommended Panel Cut-Out

UNIT:mm TOLERANCE .X ±0.25 .XX ±0.1 .XXX ±0.05 ANGLES ±1°			TITLE Standard, Rear Lock 4P M Conn F Pin		Amphenol LTW 安費諾亮泰企業股份有限公司		ITEM NO BD-04RMFS-LC7002	DRAWN BY Ruru	DATE 2019-03-14
	SCALE 3:2	SIZE A4	SHEET 1 OF 1	DWG NO BD-04RMFS-LC7002		CHECKED BY Rita	DATE 2019-03-14		
	REV. B	WC-REV. A.6	Inspection item	CUSTOMER ALTW		APPROVED BY Max	DATE 2019-03-14		
									W10814-03-01A2

THIS DOCUMENT IS SUBJECT TO CHANGE WITHOUT NOTICE. IT IS CONFIDENTIAL AND A PROPERTY OF AMPHENOL LTW. DISCLOSURE TO THIRD PARTY HAS TO BE AUTHORIZED BY AMPHENOL LTW.