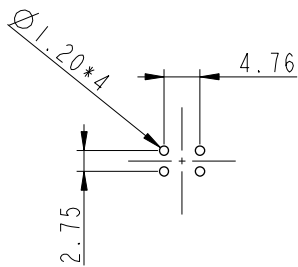
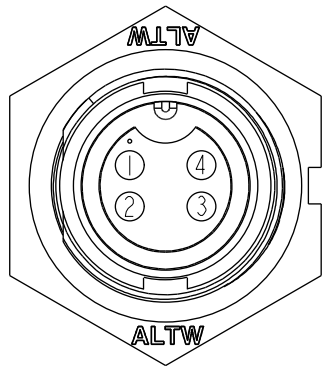
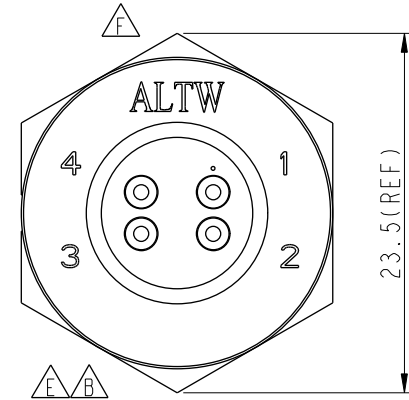
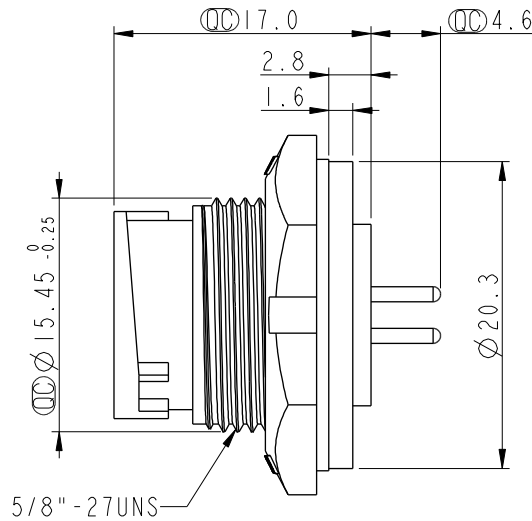
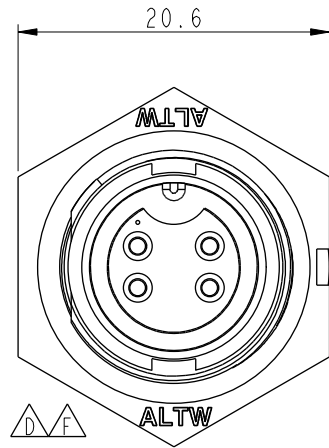


ALTW  
CONFIDENTIAL  
2019-02-22  
R&D DEPT.

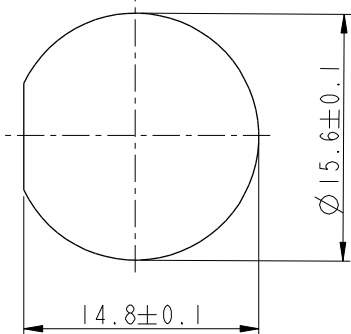
REV.	ECN NO.	DATE	SIGN	DESCRIPTION
E	LEN-010133	2010/01/21	Li Xiu Zhi	Change View
F	LEN1660742	2016/06/06	Ruru	Change Logo
G	CI90273	2019/02/22	Ruru	Modify Note



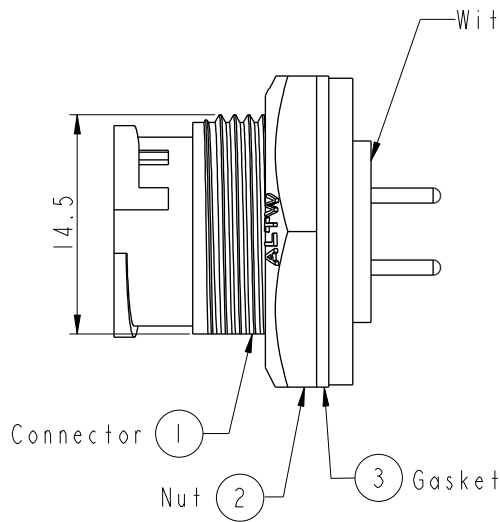
4Pin Male Connector  
Female Pin PCB Layout



Pin Assignments  
Front View



Recommended Panel Cut-out



Note:  $\triangle G$

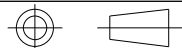
- \*  $\text{CC}$  Important Dimension To Check.
- \* Waterproof Rate: IP67, Unmated
- \* Housing: Thermoplastic, Black
- \* Pin: Copper Alloy, Gold Plated
- \* Nut: Thermoplastic, Black
- \* Gasket: Rubber, Black

$\triangle C$ \* Use With Waterproof Cap Or Dust Cap  
Panel Thickness Max: 3.0mm

$\triangle C$ \* Use Without Waterproof Cap Or Dust Cap  
Panel Thickness Max: 4.5mm

\* Gasket and Nut are packed separately  
in PE bags.

UNIT: mm



TOLERANCE	
.X	±0.25
.XX	±0.1
.XXX	±0.05
ANGLES	±1°

TITLE Standard Panel Lock 4Pin M Conn F Pin			
SCALE 2:1	SIZE A4	SHEET 1 OF 1	
REV. G	WC-REV. A.3	$\text{CC}$ : Inspection item	

**Amphenol LTW**  
安費諾亮泰企業股份有限公司

ITEM NO. BD-04PMFP-LC7001	DRAWN BY Ruru	DATE 2019-02-22
DWG NO. BD-04PMFP-LC7001	CHECKED BY Rita	DATE 2019-02-22
CUSTOMER ALTW	APPROVED BY Max	DATE 2019-02-22

THIS DOCUMENT IS SUBJECT TO CHANGE WITHOUT NOTICE. IT IS CONFIDENTIAL AND A PROPERTY OF Amphenol LTW. DISCLOSURE TO THIRD PARTY HAS TO BE AUTHORIZED BY Amphenol LTW.