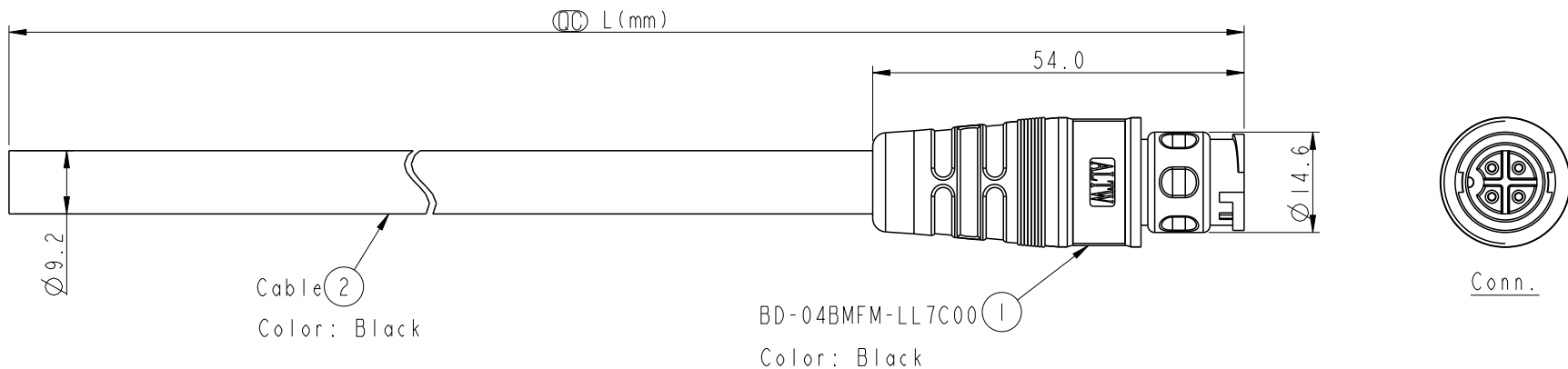


REV.	ECN NO.	DATE	SIGN	DESCRIPTION
A	Release	2013-06-27	Kevin Wang	



Cable ②
Color: Black

BD-04BMFM-LL7C00 ①
Color: Black

ALTW
CONFIDENTIAL
2013-06-27
R&D DEPT.

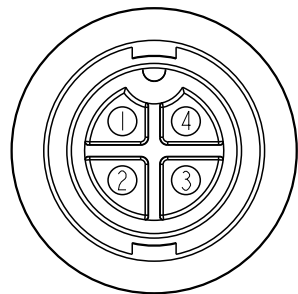
ALTW
DCC. DEPT.
CONFIDENTIAL
2013.07.17
ISSUED

BD-04BMFM-LL7CXX

XX : 01~99Meters
01 : 01Meter
02 : 02Meters
:
:
99 : 99Meters

Cable Length(L): 01~99Meters

- Note:
- * ① Important Dimension To Check.
 - * Waterproof Rate: IP67
 - * Housing: M-PPE, Black.
 - * Female Pin: Copper Alloy, Gold Plated.
 - * Cable: TC-ER 18AWG*4C+Filler, PVC Jacket, UV Resistant, OD=9.2, Black.
 - * Connector Temperature: -40~+105°C
 - * Cable Temperature: -40~+90°C (Static application)
-25~90°C (Occasionally moving)
 - * Working Voltage Rating: 300V AC
 - * Working Current Rating: 5A
 - * Withstanding Voltage: 6KV
 - * Cable Length Tolerance: 01M: ±40mm
02M~05M: ±60mm
11M~30M: ±200mm
31M~99M: ±500mm



Pin Assignments
Front View

4	Red	紅
3	Green	綠
2	White	白
1	Black	黑
Conn.	Wire Color	
	Pin Out	

UNIT: mm

TOLERANCE	
.X	±0.25
.XX	±0.1
.XXX	±0.05
ANGLES	±1°

TITLE STANDARD CABLE LOCK 4P M CONN F PIN			
SCALE	1:1	SIZE	A4
SHEET	1	OF	1
REV.	A	WC-REV.	A.2
		①	Inspection item

Amphenol LTW
安費諾亮泰企業股份有限公司

ITEM NO	BD-04BMFM-LL7CXX	DRAWN BY	Kevin	DATE	2013-06-27
DWG NO	BD-04BMFM-LL7CXX	CHECKED BY	Micky	DATE	2013-06-27
CUSTOMER	ALTW	APPROVED BY	Maslow	DATE	2013-06-27

THIS DOCUMENT IS SUBJECT TO CHANGE WITHOUT NOTICE. IT IS CONFIDENTIAL AND A PROPERTY OF Amphenol LTW. DISCLOSURE TO THIRD PARTY HAS TO BE AUTHORIZED BY Amphenol LTW.