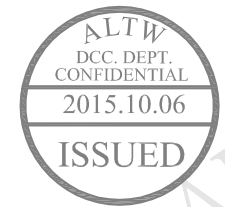
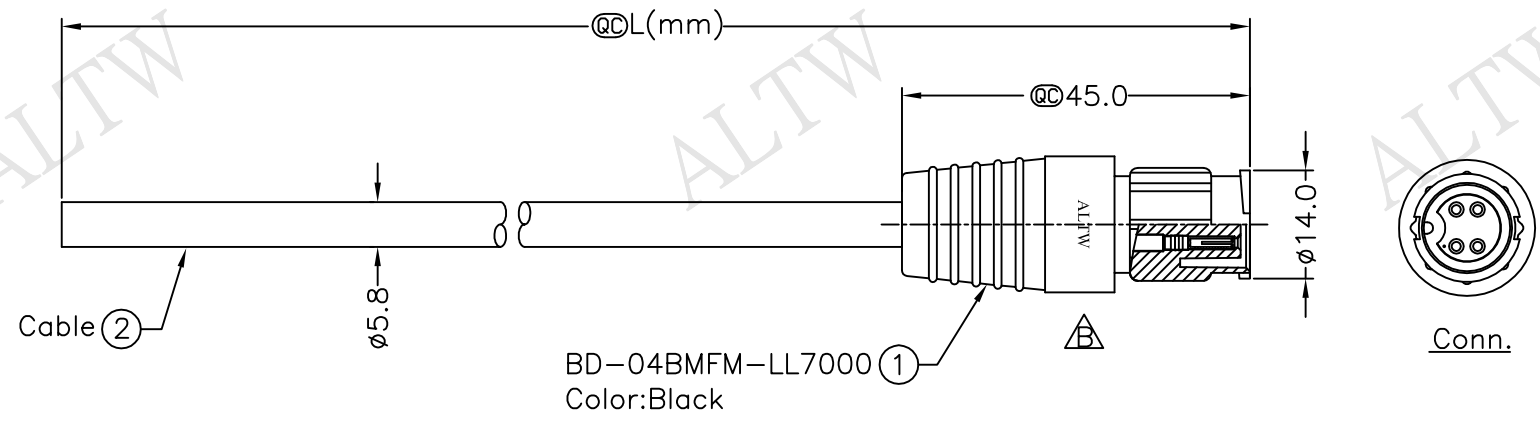
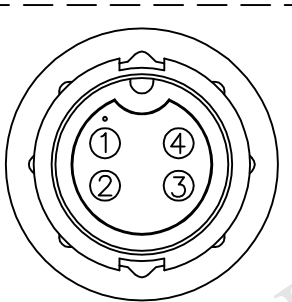


REV.	ECN NO.	DATE	SIGN	DESCRIPTION
B	LEN1590430~34	2015/09/11	Ruru	Change Logo & Note



BD-04BMFM-LL7AXX
 XX:01~99Meter
 01:01Meter
 02:02Meters
 ...
 99:99Meters
 Cable Length(L):01~99Meters

- Note:
- * @ Important Dimension.
 - * Waterproof Rate: IP67
 - * Housing: Nylon+GF, UV Resistant
 - * Female Pin: Copper Alloy, Gold Plated
 - * Cable: UL2464 24#*4C+Drain+Al/My, UV Resistant ,OD=5.8mm, Black
 - * Cable Length Tolerance: 01M: ±40mm
 02M~05M: ±60mm
 06M~10M: ±100mm
 11M~30M: ±200mm
 31M~99M: ±500mm



Pin Assignments
Front View 前視圖

Yellow	黃	4
Red	紅	3
Green	綠	2
White	白	1
Wire Color		Conn.
Pin Out		

UNIT:mm		TITLE
TOLERANCE		Standard,Cable Lock 4Pin M Conn F Pin
±0.5 mm	SCALE Free	SHEET 1 OF 1
	REV. B	SIZE A4
		@ :Inspection Item

Amphenol LTW
 安費諾亮泰企業股份有限公司

ITEM NO	DRAWN BY	DATE
	Ruru	2015/09/11
DWG NO	CHECKED BY	DATE
BD-04BMFM-LL7AXX	Rita	2015/09/11
CUSTOMER	APPROVED BY	DATE
ALTW	Lion	2015/09/11

THIS DOCUMENT IS SUBJECT TO CHANGE WITHOUT NOTICE. IT IS CONFIDENTIAL AND A PROPERTY OF Amphenol LTW. DISCLOSURE TO THIRD PARTY HAS TO BE AUTHORIZED BY Amphenol LTW.