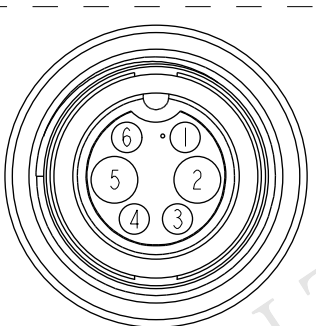
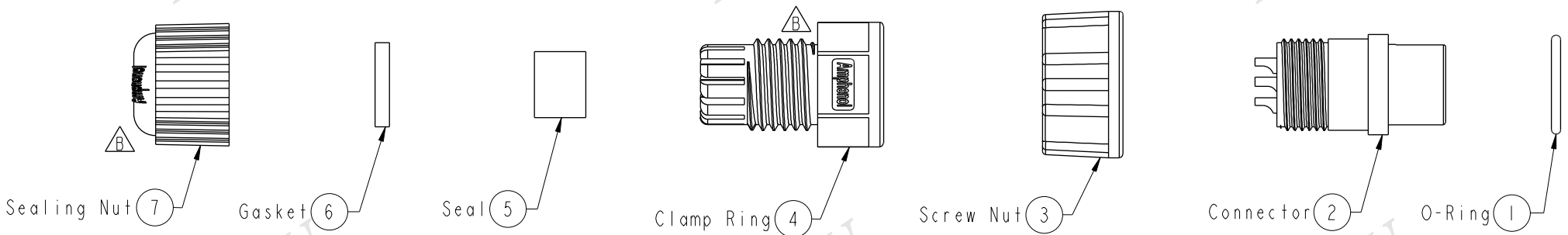


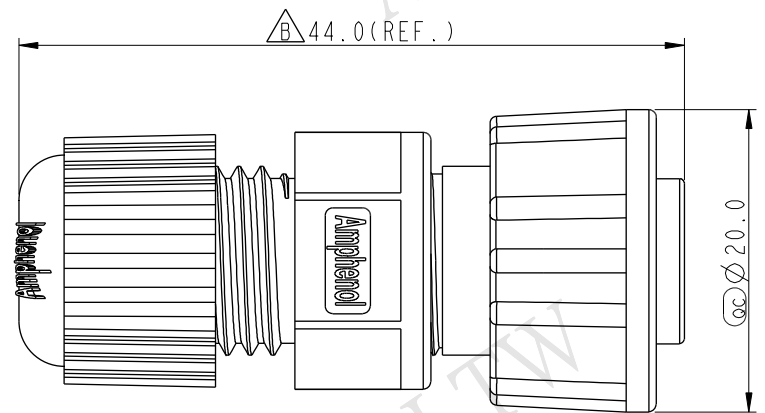
REV.	ECN NO.	DATE	SIGN	DESCRIPTION
B	LEN14C0416	2014/12/10	Vicky	Update Logo & Dimension

ALTW
CONFIDENTIAL
2014-12-10
R&D DEPT.

ALTW
DCC. DEPT.
CONFIDENTIAL
2014.12.23
ISSUED



Pin Assignments
Front View



- Note:
- * \varnothing Important Dimension To Check.
 - * Waterproof Rate: IP67
 - * Housing: Nylon+GF, Black
 - * Male Pin: Copper Alloy, Gold Plated
 - * O-Ring: EPDM, Black
 - * Screw Nut: Nylon+GF, Black
 - * Gasket: EPDM, Black
 - * Clamp Ring: Nylon, Black
 - * Seal: EPDM, Black
 - * Sealing Nut: Nylon, Black
 - * Seal For Cable OD: $\varnothing 4.5\text{mm} \sim \varnothing 6.5\text{mm}$
(防水墊圈線徑: $\varnothing 4.5\text{mm} \sim \varnothing 6.5\text{mm}$)
 - * One Set Unassembled In One PE Bag
(每一組未組裝, 放置於一個PE袋, 並封口)

UNIT:mm TOLERANCE .X ±0.25 .XX ±0.1 .XXX ±0.05 ANGLES ±1°	TITLE Standard Assy Screw 6Pin F Conn M Pin			Amphenol LTW 安費諾亮泰企業股份有限公司		ITEM NO BBD-06BFMA-SL7001	DRAWN BY Vicky	DATE 2014-12-10
	SCALE 5:4	SIZE A4	SHEET 1 OF 1			DWG NO BBD-06BFMA-SL7001	CHECKED BY Sam	DATE 2014-12-10
	REV. B	WC-REV. A.3	\varnothing : Inspection item			CUSTOMER ALTW	APPROVED BY Rita	DATE 2014-12-10
						FMM10702-01-02A1		

THIS DOCUMENT IS SUBJECT TO CHANGE WITHOUT NOTICE. IT IS CONFIDENTIAL AND A PROPERTY OF Amphenol LTW. DISCLOSURE TO THIRD PARTY HAS TO BE AUTHORIZED BY Amphenol LTW.